



1/7 四驱竞速卡车YT7说明书 YT7 SCALE 1:7 4WD TRUGGY INSTRUCTION MANUAL

BATTLEMAN SCALE 1:7 TRUGGY

产品品牌 : 易控
 型号名称 : YK9071 1/7 遥控电动车
 执行标准 : GB/T26701-2011
 产品编号 : YK9071
 生产商地址: 中国广东省东莞市常平镇东平大道31号宏源智造园2栋1/6/7楼
 电话 : 86-13662925989
 邮箱 : rnd@yikong.racing/robinson@yikong.racing/sales@yikong.racing
 适用年龄 : 14岁以上
Factory: Dongguan Yikong Hobby and Toys Co., Ltd.
 Tel: 86-13662925989 E-mail: rnd@yikong.racing / robinson@yikong.racing / sales@yikong.racing
 Address: 1/6/7 Floor, Blvd 2, Hongyuan Industrial Park, 31 Dongpin Av., Changping Town, Dongguan City, GuangDong Province, China.



Printed in China

感谢您购买我们的产品! 祝您使用愉快, 为了获得最佳产品性能体验, 请在使用前务必认真阅读说明书

Thank you for purchasing our product! We hope you have a great experience with it. To ensure optimal performance of the device, please carefully read the instruction manual prior to use.

目录	1	Table of Contents	1
操作说明和注意事项	2-5	Instructions and Precautions	2-5
爆炸图	6-20	Explode Diagram	6-20
配件表	21-27	Parts List	21-27

安全注意事项 SAFETY PRECAUTIONS AND WARNINGS

年龄建议:不适合14岁以下儿童。这不是玩具。

Age Recommendation: Not for children under 14 years. This is not a toy.

1) 严禁在公共场所或拥挤的地方操作模型车,本产品不允许儿童在没有成人直接监督下使用。

Never operate the model in public places and the street or in populated areas for any reason. This product is not intended for use by children without direct adult supervision.

2) 严禁反接电池或拆解电池,这是危险的,并可能引起火灾。

Never reverse install the battery or disassemble the battery, which is dangerous and may cause a fire

3) 本产品包含细小且锋利的零件,请将任何化学品、小零件和电子设备放在儿童接触不到的地方。

This product contains small and sharp parts, keep all chemicals, small parts and anything electrical out of the reach of children

4) 当不使用模型车时,请先断开电源并把电池从车身移出。此外遥控器电源关闭后,应取出电池以免漏液。

When not use the vehicle, power OFF the vehicle and then the transmitter. Unplug the battery and remove it from the vehicle.

Also remove the transmitter battery to avoid leakage.

5) 请不要混用新旧或不同类型电池。

Please do not mix old and new batteries or different types of batteries.

6) 不要在遥控器电量低的情况下操作车子,如果电池电量过低,请更换电池。

Never operate your model with low transmitter batteries. Replace batteries when vehicle bateries are low

7) 在开机状态下,切勿拆卸遥控器电池。

Never remove the transmitter batteries while the model is powered ON.

8) 请根据当地有关规定,妥善弃置或回收电池。

Dispose of used batteries according to national regulations

9) 充电时,请从模型车中取出电池,如果电池变形,请不要使用。

When charging the battery, please take out the batery from the vehicle. If the battery is deformed, please do not use it.

10) 电池应在成人监督下充电,无人看管时请勿给电池充电。

The battery should be charged under adult supervision, do not charge the battery when unattended.

11) 遥控系统有各种不同功能和设置,初次接触前请确保对所有功能设置完全理解,未能正确操作可能导致产品损坏

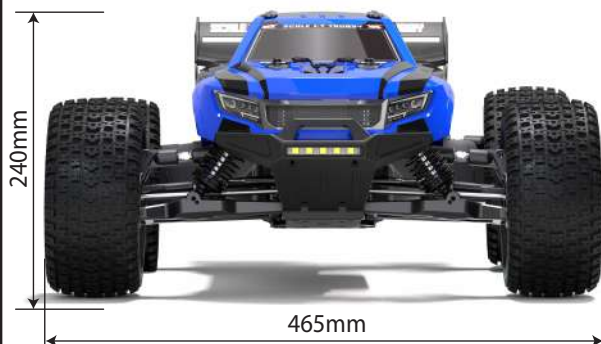
The radio system has diferent functions and settings, please read the entire manual to gain a full understanding of functions failure to operate correctly could result in product malfunction and damage.

产品规格参数 PRODUCT SPECIFICATION:

车长Length:	670mm
车宽Width:	465mm
车高Height:	240mm
轮胎Tire Diameter/Width:	168/78mm

轴距Wheelbase:	430mm
车重 Product Weight:	7.0KG
电池仓尺寸Battery Box Size:	182 x 50mm
电调ESC:	150A

马达Motor:	4585
驱动方式Drivetrain:	全时四驱/4WD
车身结构Suspension:	前后独立悬挂 Front/Rear Independent suspension
齿轮比Gear ratio:	1:16.14



维修服务 REPAIR SERVICE:

1) 车辆需要经常保养,以保持其性能,特别是活动的零件部位,每次跑车完及时清除上面的尘土杂物。保持车辆清洁和良好的保养。

Periodic maintenance in order to ensure the vehicle best performance, especially the running parts. Remove chassis free of dirt and debris after every driving. Keep your vehicle clean and well maintained.

2) 定期检查车上有螺丝的地方,有必要就拧紧加固。

Regularly check the screws on the car and tighten them if necessary.

3) 经常检查车上面磨损/弯曲/坏掉的部件,有必要就换掉。

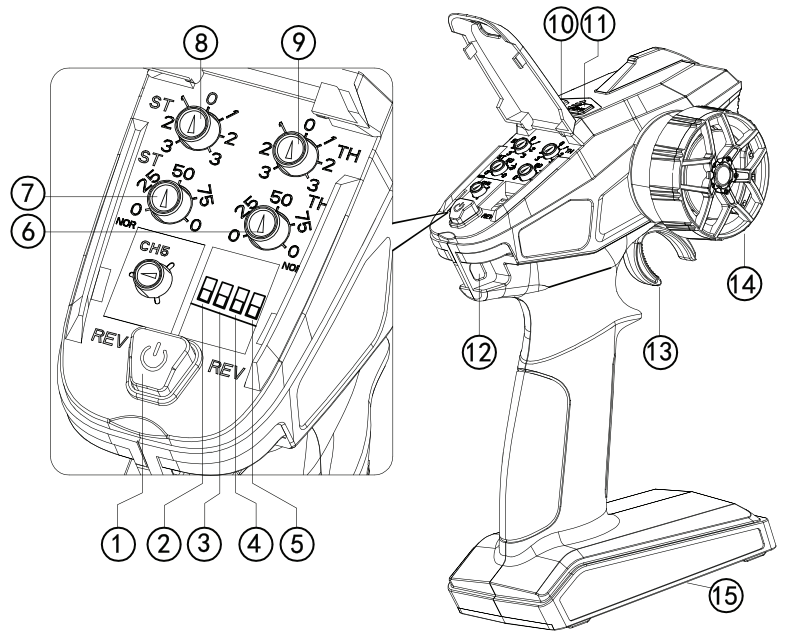
Always check for wear/broken/bent parts, and replace it if necessary.

4) 所有的零件都可以作为散件在爆炸图上找到编号,有损坏可以在零售商订购更换。有任何问题,都可以在零售商寻求帮助。

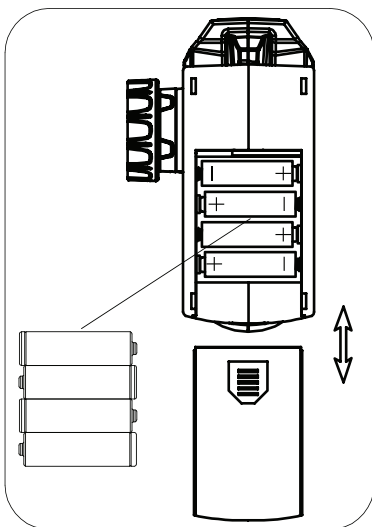
All parts listed on the exploded view. Damages can be ordered at the retailer. If you have any questions, you can ask for help at the retailer.

遥控器电调功能介绍 TRANSMITTER and ESC FUNCTIONS

- | | |
|-----------------------------------|------------------------------------------------|
| 1) 电源开关
Power Button | 12) 挂绳孔
Lanyard hole |
| 2) 1通正反切换开关
CH1 Reverse Switch | 13) 油门/刹车扳手(2通)
Throttle/Brake Trigger(CH2) |
| 3) 2通正反切换开关
CH2 Reverse Switch | 14) 转向轮(1通)
Steering Wheel (CH1) |
| 4) 3通正反切换开关
CH3 Reverse Switch | 15) 电池仓
Battery Installation |
| 5) 4通正反切换开关
CH4 Reverse Switch | |
| 6) 油门舵量旋钮
EPA for Throttle | |
| 7) 转向舵量旋钮
EPA for Steering | |
| 8) 转向中位微调
ST Trim | |
| 9) 油门中位微调
TH Trim | |
| 10) 第3通道
Channel 3 | |
| 11) 第4通道
Channel 4 | |



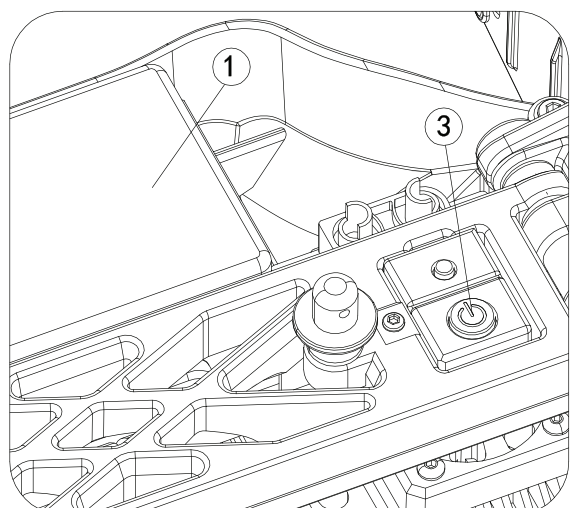
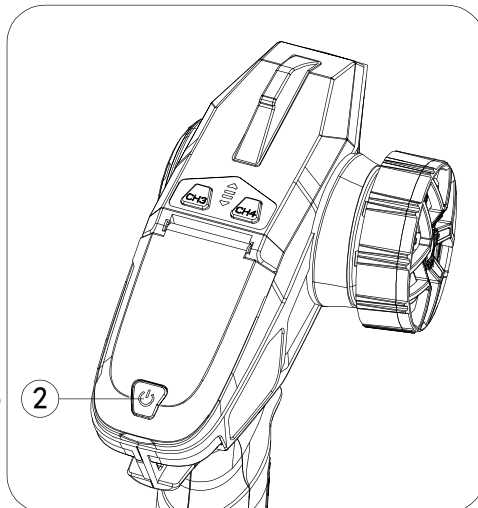
遥控器电池安装 INSTALLING THE TRANSMITTER BATTERIES



- 按箭头方向滑动，拆下或者安装发射机电池盖。
Remove the battery cover from the transmitter (Slide cover as shown arrow direction)
- 装4颗电量充足的AA电池，注意电池尺寸正负极如图所示，不要装反。
Install 4 AA batteries with sufficient power as shown. Taking care to align the battery polarity.
- 不要混用新旧或不同类型的电池。更换电池型号不正确，或给非充电电池充电有爆炸危险。
Never use different batteries or mixed old and new batteries. Risk of explosion if battery is replaced by an incorrect type or charging non-rechargeable batteries
- 定期检查遥控器上电池电量。电池电量不足情况下，不能操作车子，信号会受到影响，车子可能瞬间失控，导致发生碰撞或伤害。长时间不使用时请将电池从遥控器内取出。
Check the transmitter battery level regularly. Never operate your model with low transmitter batteries, the radio signal may subject to interference and cause momentary loss of control and collisions or injury. When not in use for a long time, please remove the battery from the transmitter

操作模型车 DRIVING PRECAUTIONS

- 将充满电的电池放入电池盒，连接好电池与电调线插头，注意孔位正确。
Install a fully charged battery pack into the vehicle battery box. Connect the battery power lead to the ESC wires plug, noting proper polarity.
- 打开遥控器电源开关，遥控器电源指示灯点亮。
Power ON the transmitter, the battery Indicator lights.
- 打开电调电源开关，电调指示灯点亮，控制系统进入工作状态。
Turn on ESC Power Switch, the LED Lights, indicating control system enters working status



操作模型车 DRIVING PRECAUTIONS

Forward
前进

Backward
后退

向前推动
Push trigger

向后扣动
Pull trigger

中位
Center

用手指向后扣动遥控器扳机，车将向前行驶。用手指向前推动扳机一次为刹车，松开手指待扳机回到中位后再向前推动则为倒车。
Pull the transmitter trigger backward with your finger, and the vehicle will move forward. Push the trigger forward one time to brake, release your finger and wait for the trigger to return to the neutral position, then push trigger again is to reverse the vehicle.

向左转
Turn left

向右转
Turn right

Left
左

Right
右

Left
左

Right
右

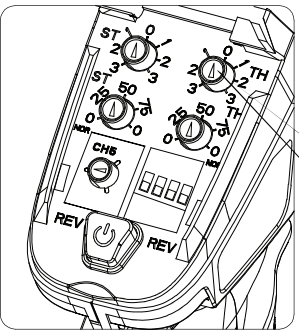
车前轮的运动是随遥控器转向轮的调整而改变的。
遥控器转向轮向左转，车前轮也是左转。遥控器转向轮向右转，车前轮也是右转。
Turn the transmitter's steering wheel to the left, the vehicle's front wheels will turn left. Turn the transmitter's steering wheel to the right, the vehicle's front wheels will turn right.

转向中位微调
Steering trim

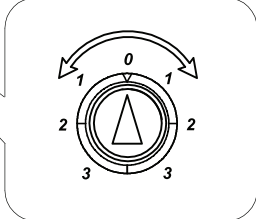
在没有操控转向轮的情况下，车辆前轮应该处于中心位置。如果前轮偏向左侧，请顺时针转动转向微调旋钮进行微调。如果前轮偏向右侧，请逆时针转动转向微调旋钮进行微调。
Without turning transmitter steering wheel, the vehicle front wheels should maintain a straight line. If not, adjust ST Trim knob until the vehicle tracks straight. If the front wheels drift to the left, fine tuning ST Trim knob clockwise. If the front wheels drift to the right, fine tuning ST Trim knob counterclockwise.

转向角度舵量调整旋钮
Steering End Point Adjustment

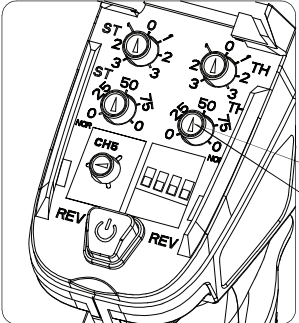
调整转向角度舵量大小，来适应不同弯角路面的行使需要。顺时针转动该微调旋钮，可以将转向角度调整到最大。逆时针转动该微调旋钮，可以将转向角度调整到最小。
Adjust Steering End Point to help adapt to different terrains. Clockwise twist this knob: adjust to the maximum steering angles. Counterclockwise twist this knob: adjust to the minimum steering angles.



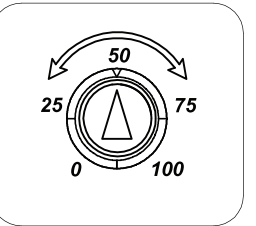
油门中位微调
Throttle Trim



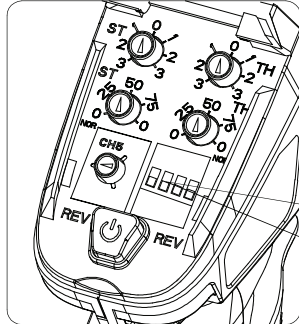
在没有操控油门扳机的情况下，车辆应该处于静止状态。
如果车子自行前进，请逆时针转动油门中位微调旋钮进行微调。
如果车子自行后退，请顺时针转动油门中位微调旋钮进行微调。
Without operating throttle trigger, the vehicle should be motionless.
If vehicle moves forward, counterclockwise adjust Throttle Trim knob.
If vehicle moves backward, clockwise adjust Throttle Trim knob.



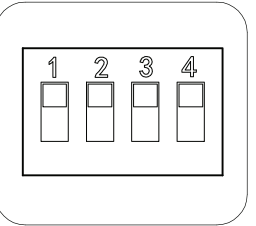
油门限速旋钮
Throttle Limit



设定遥控油门限速旋钮控制量大小，逆时针旋转是降低控制量(最低可以降到0%)，顺时针旋转是加大控制量(最高值为100%正常油门控制量)。
对于初学者而言，可以先尝试调低油门控制量来适应车辆。
Set Throttle Limit knob to limits throttle output.
Counterclockwise Throttle Limit knob to reduce the limit output (minimum 0%)
Clockwise adjust Throttle Limit knob to increase the limit output (maximum 100% is for normal)
Suggest the less experienced select Throttle Limit to reduce speed.



正反切换开关
Reverse switch

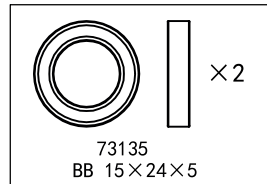
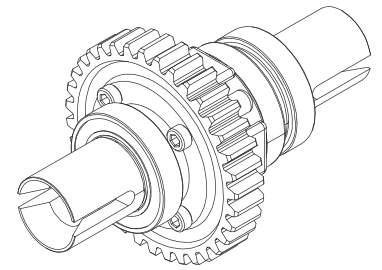
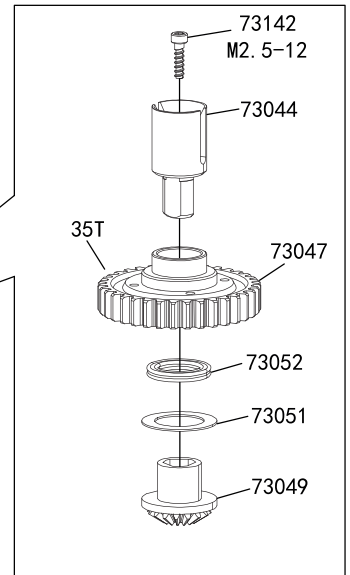
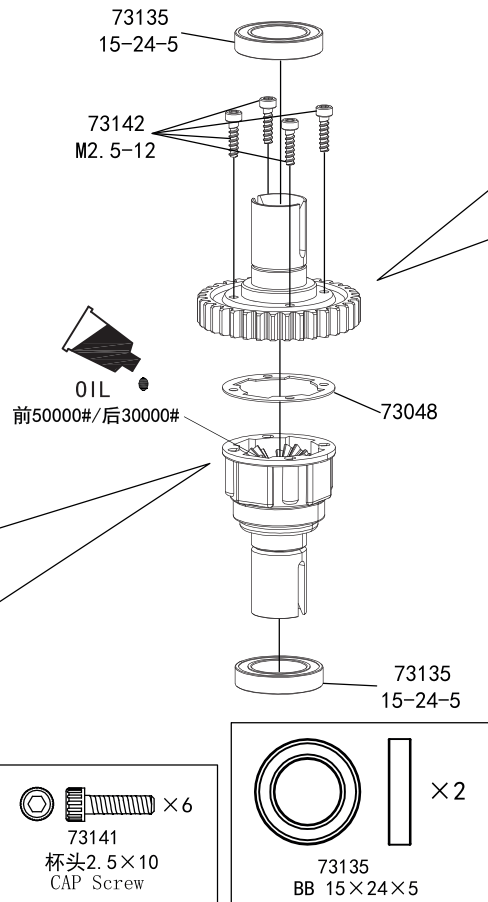
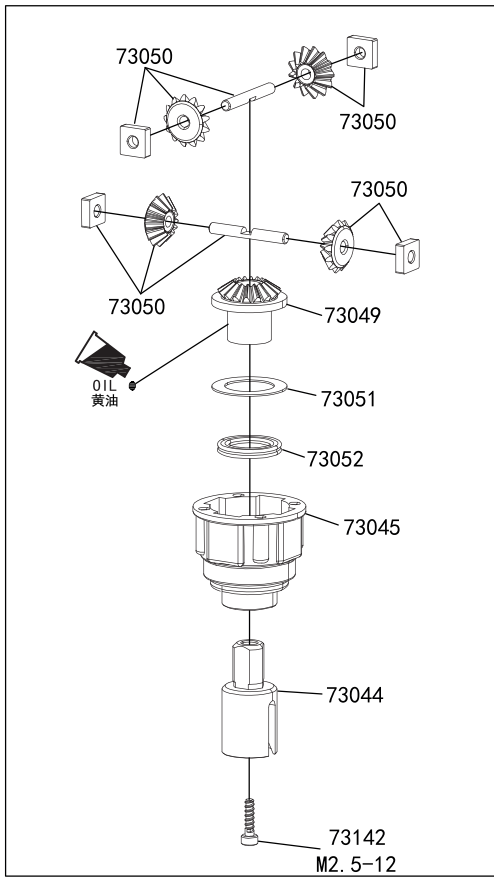


如果遥控的操作与车辆动作不一致，请调整此正反切换开关，直至遥控操作和车辆动作一致。
If the operation on transmitter is inconsistent with the vehicle actual performs (forward/backward, left/right), please adjust this switch to correct.

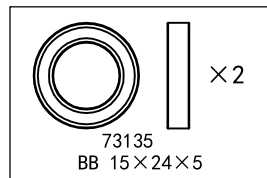
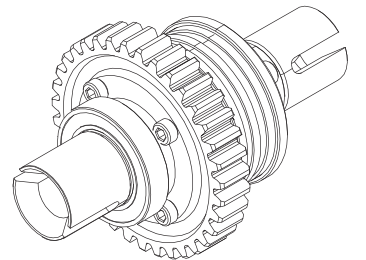
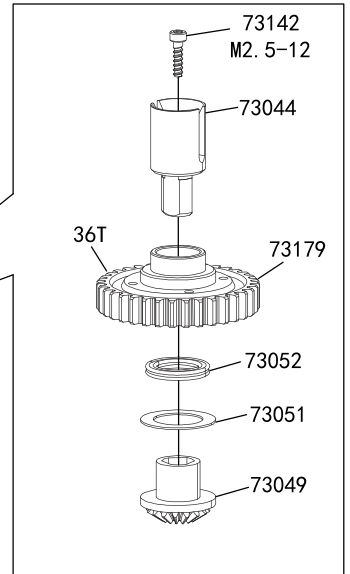
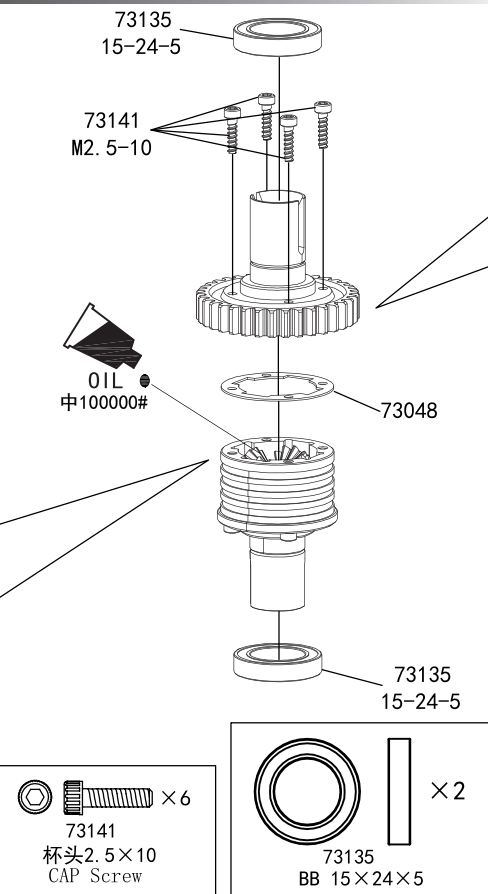
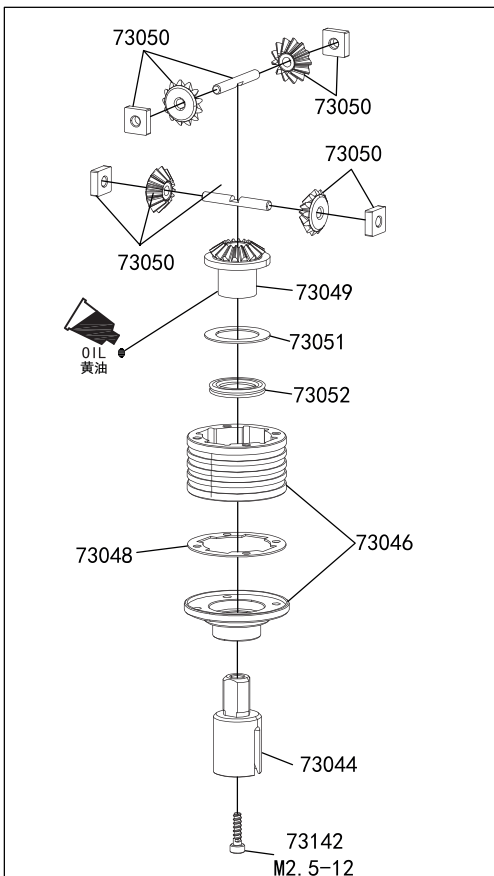
常见问题及故障处理 Troubleshooting

	故障现象 Problems	故障分析 Causes	故障排除 Solutions
遥控器 Transmitter	电源指示灯不亮 LED does not work.	电池没电或电池安装错误 Weak batteries or batteries are not installed properly.	更换新的电池或检查正负极 Replace with a new battery or check the positive and negative terminals.
	电源指示灯频率式慢闪 LED flashes slowly.	电池电量不足 Low battery power.	更换新的电池 Replace with new batteries.
	指示灯正常亮起，但是无功能，无法操控车辆 Switch on, normal LED indicate, but no function and cannot operate vehicle.	周围可能有其它正在运行的电子产品导致的遥控频率干扰 Signal interference with other transmitters around you.	重启模型车和遥控器或更换场地 Switch off firstly, and then switch on again or change to other places.
模型车 Car	接通电源后指示灯不亮 Connected, but fail to be switched on.	电池没电或电池过放而损坏，或电路接线破损 The battery pack is flat or damaged. The connectors and wires may break.	更换为已充电的电池，检查电池或线路是否损坏 Charge the battery pack and replace with the new battery pack when needed, check all wires and connectors.
	转向异常或失灵 Connected, but fail to be switched on.	检查是否有杂物阻塞转向结构，或转向部件或舵机已损坏 Steering device is jammed or steering servo is damaged.	检查所有部件，更换损坏的或磨损的部件 Check all the steering parts and or steering servo. Fix or replace with new parts if needed.
	能转向，但无法前进或后退 Steering functions, but the car is not able to go forwards or backwards.	电池电力不足， The battery pack is flat. 传动部件损坏或被杂物阻塞。 Damaged or clogged parts in drive train . 电调功能异常 ESC malfunctions.	更换为已充电电池， Charge the battery pack. 清理与更换部件。 Clean, fix and replace with new parts. 更换电调 Replace with new ESC.
	模型车行驶时噪音大 The car drives noisily.	检查是否有杂物阻塞传动部件，或传动部件损坏或脱落，检查齿轮齿合度，检查并分析差速器齿轮是否已出现扫齿、崩牙等现象。 Check if the drive train is blocked or damaged parts. Check the gear mesh and check if the diff. gears stripping, damaged or not	及时更换已损坏的齿轮、传动轴、传动接杯或差器 Replace damaged gears, drive shafts, drive cups or differentials in a timely manner. Do not use the car until it has been repaired

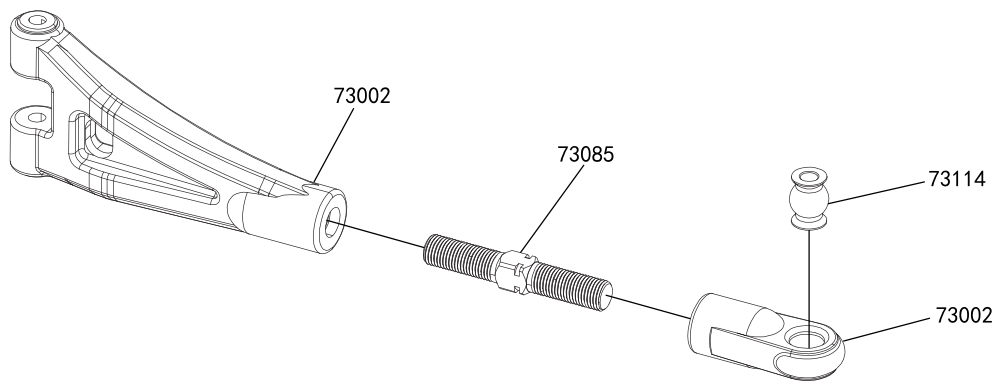
前/后差速器组装 Front/Rear Differential Assembly



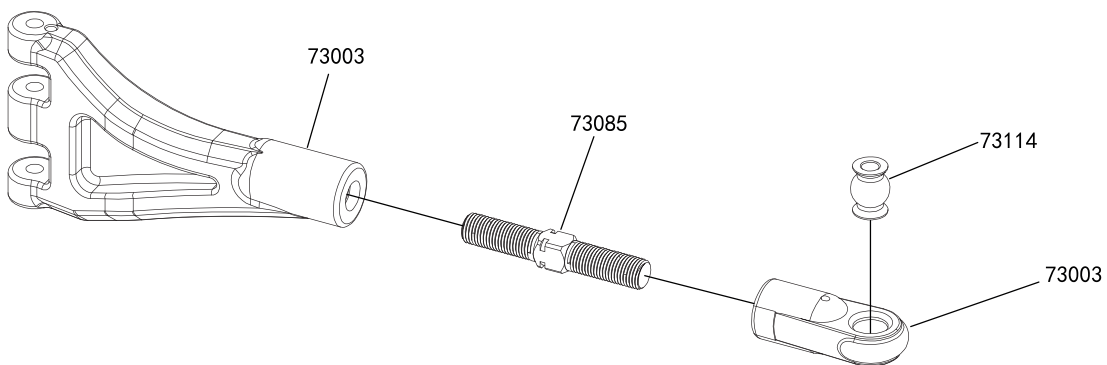
中差速器组装 Center Differential Assembly



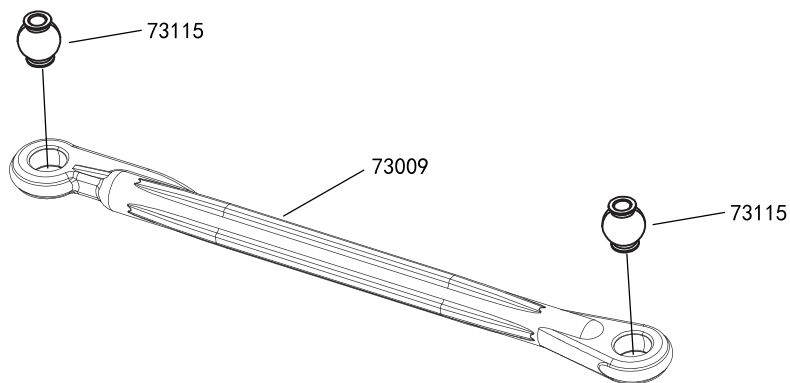
前上摆臂组装 Front Upper Suspension Arm Assembly



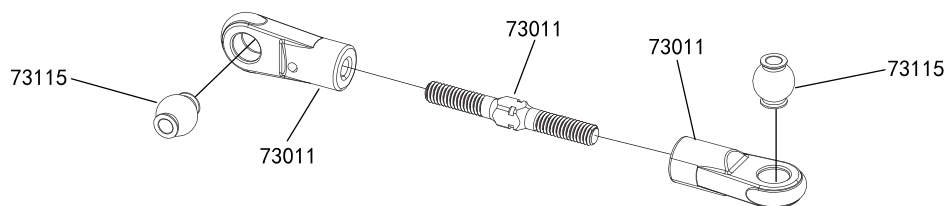
后上摆臂组装 Rear Upper Suspension Arm Assembly



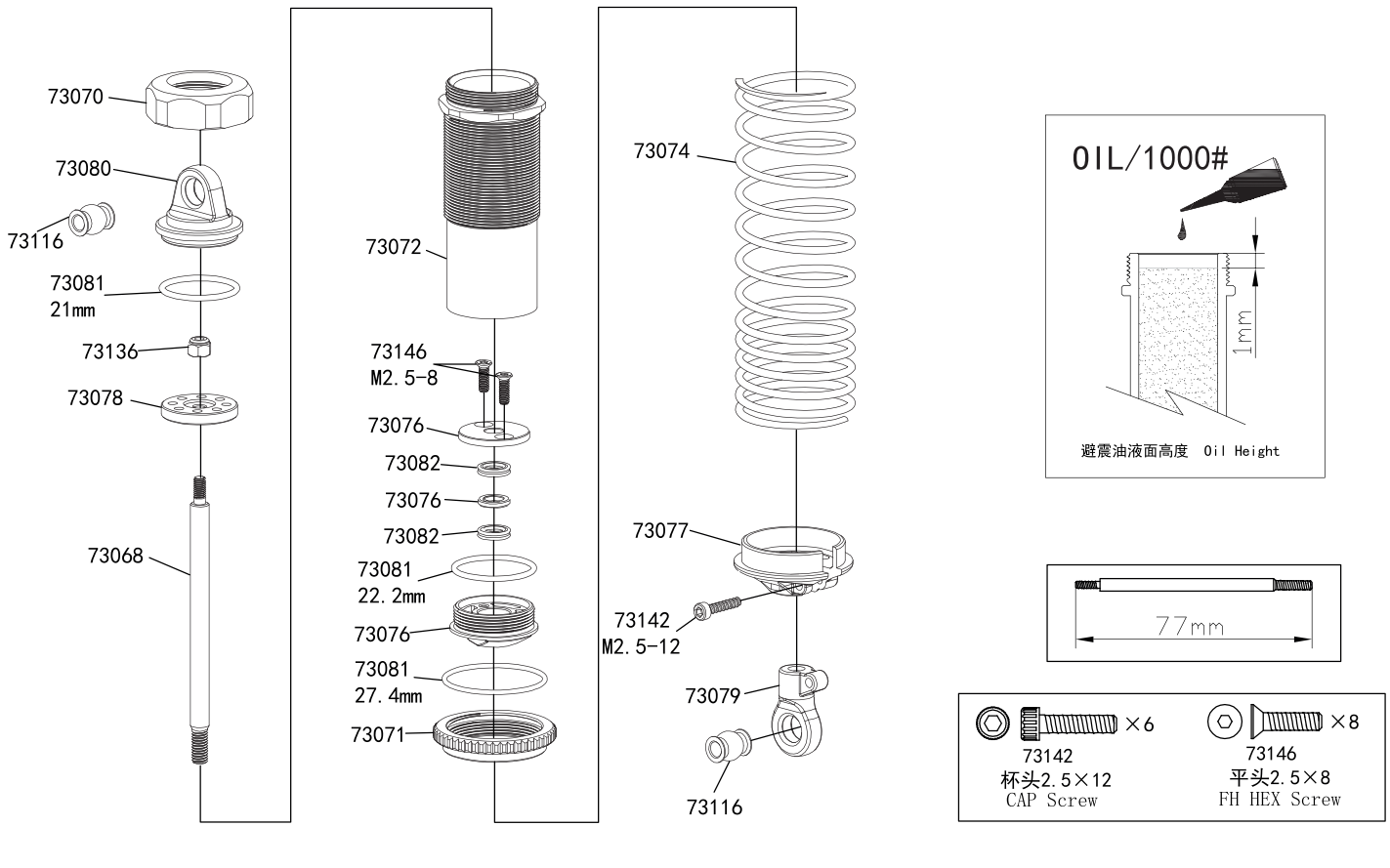
转向拉杆组装 Steering Link Assembly



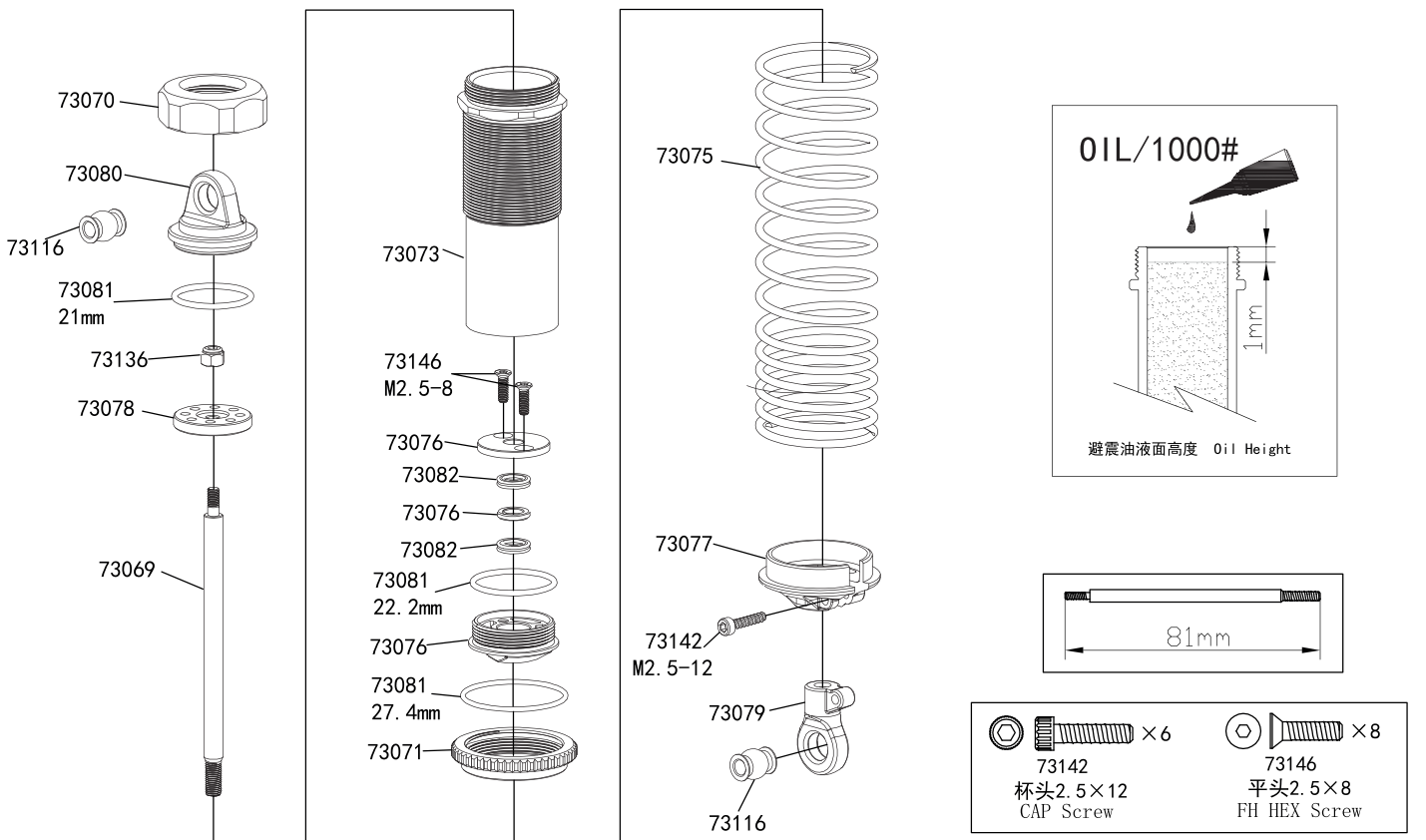
伺服拉杆组装 Servo Link Assembly



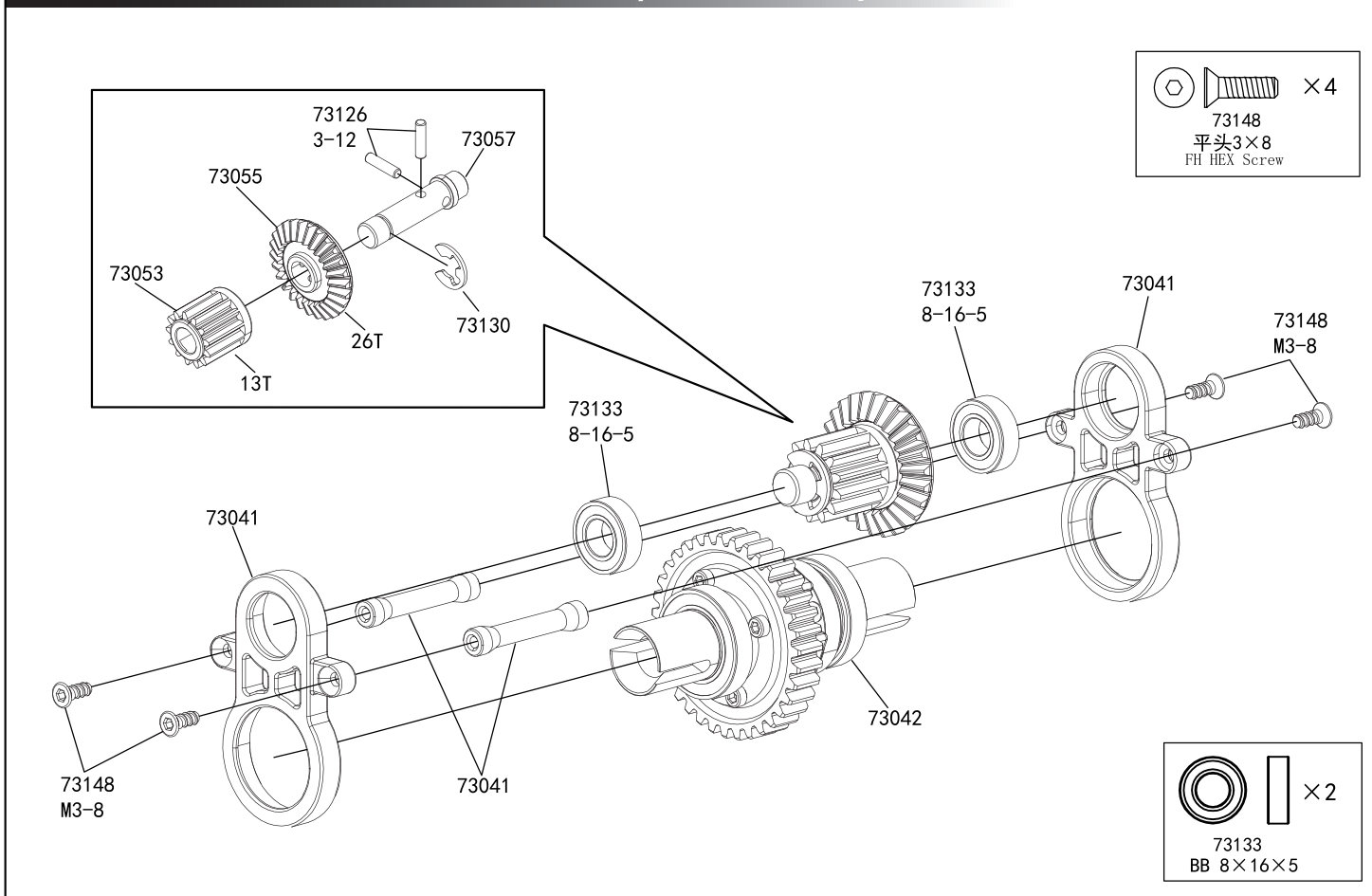
前避震器组装 Front Shock Absorber Assembly



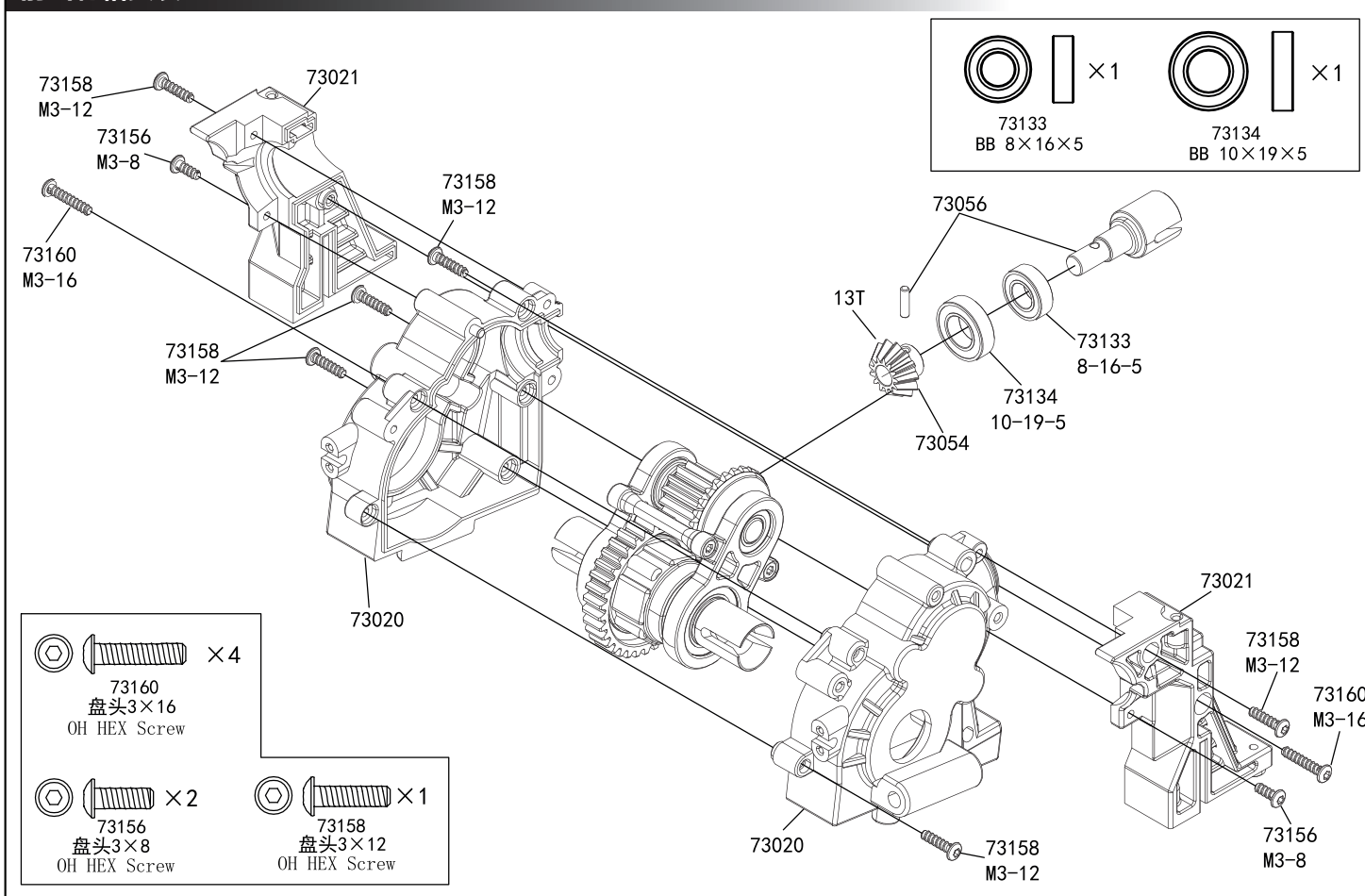
后避震器组装 Rear Shock Absorber Assembly



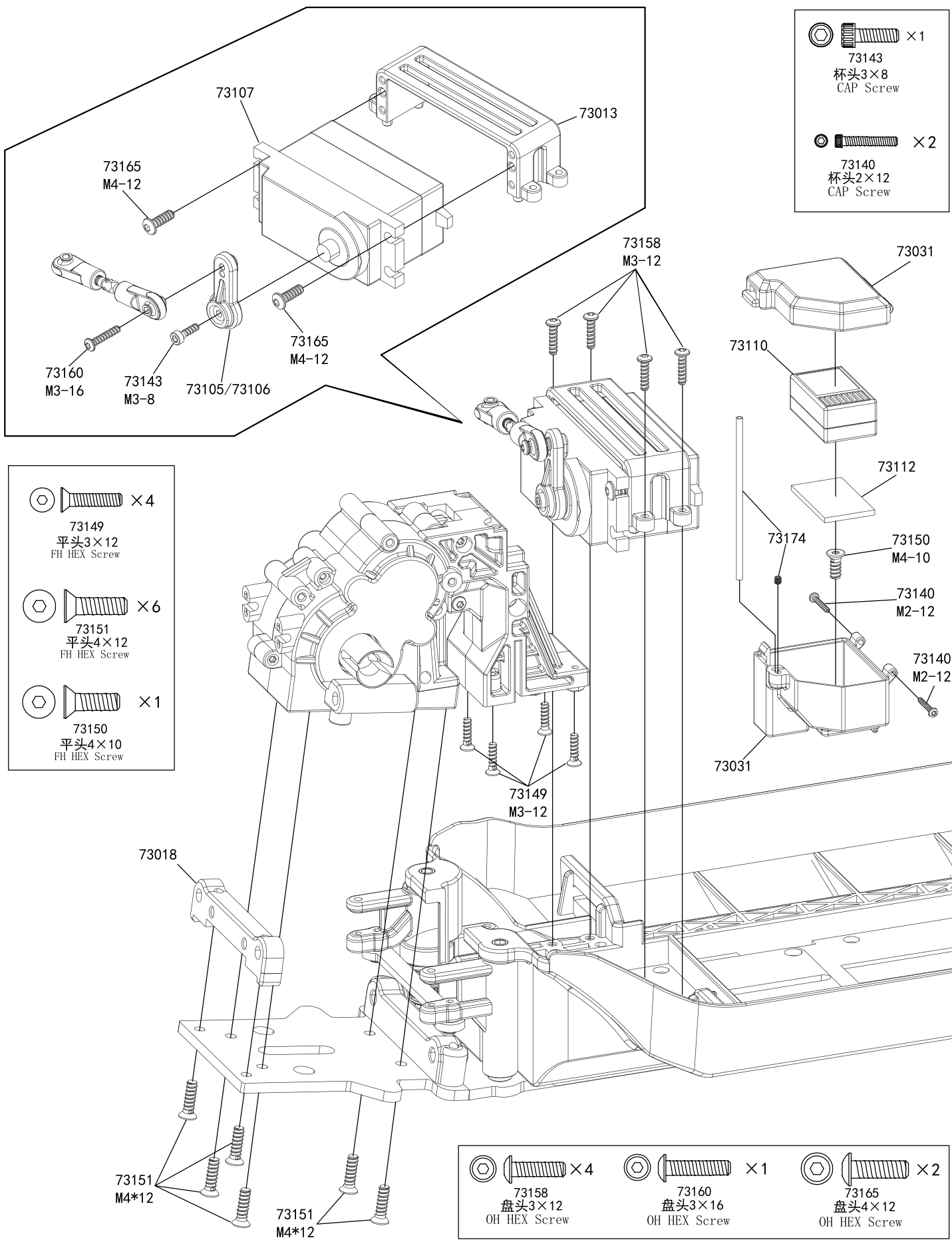
前/后差速组件组装 Front/Rear Differential Component Assembly



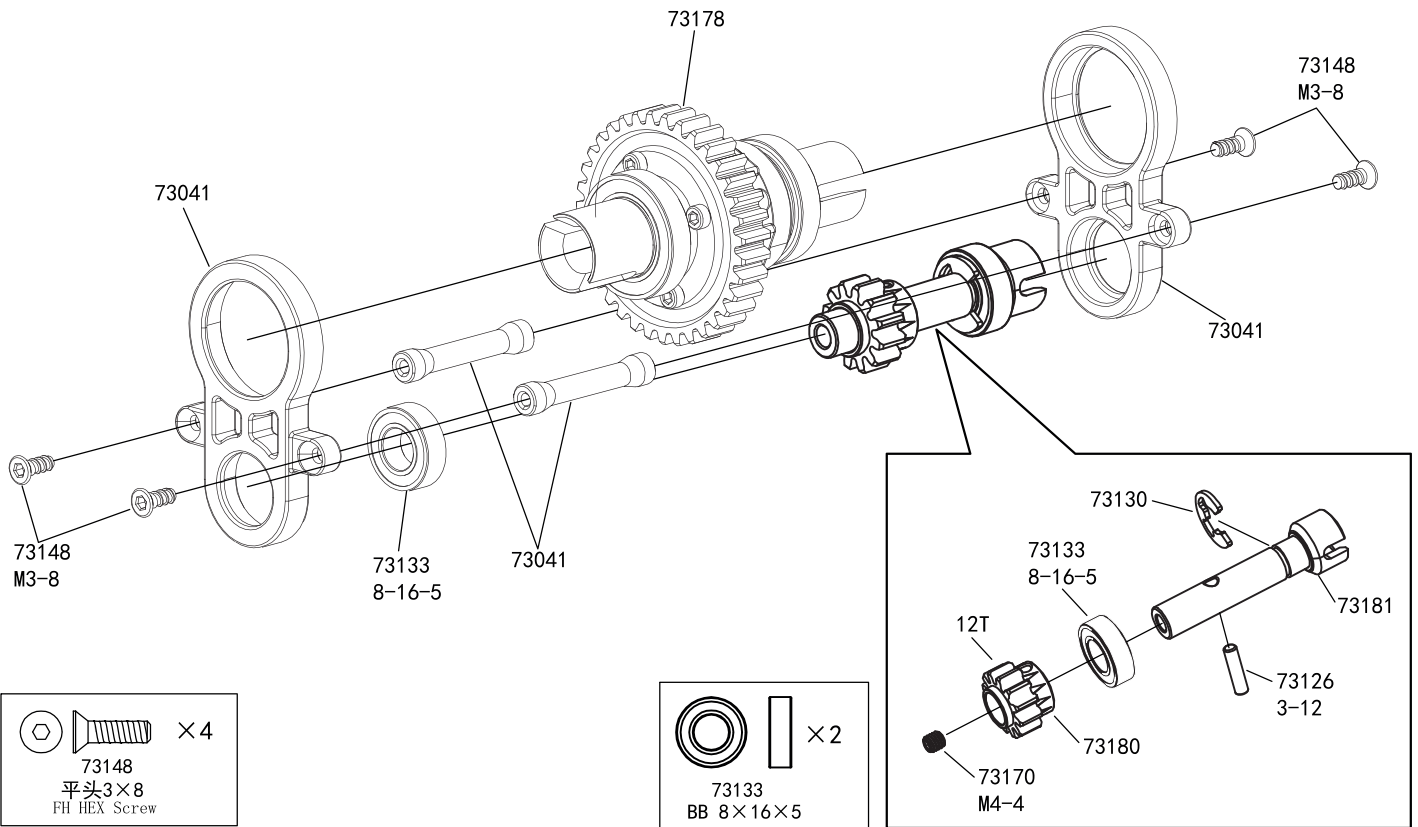
前齿轮箱安装 Front Gearbox Installation



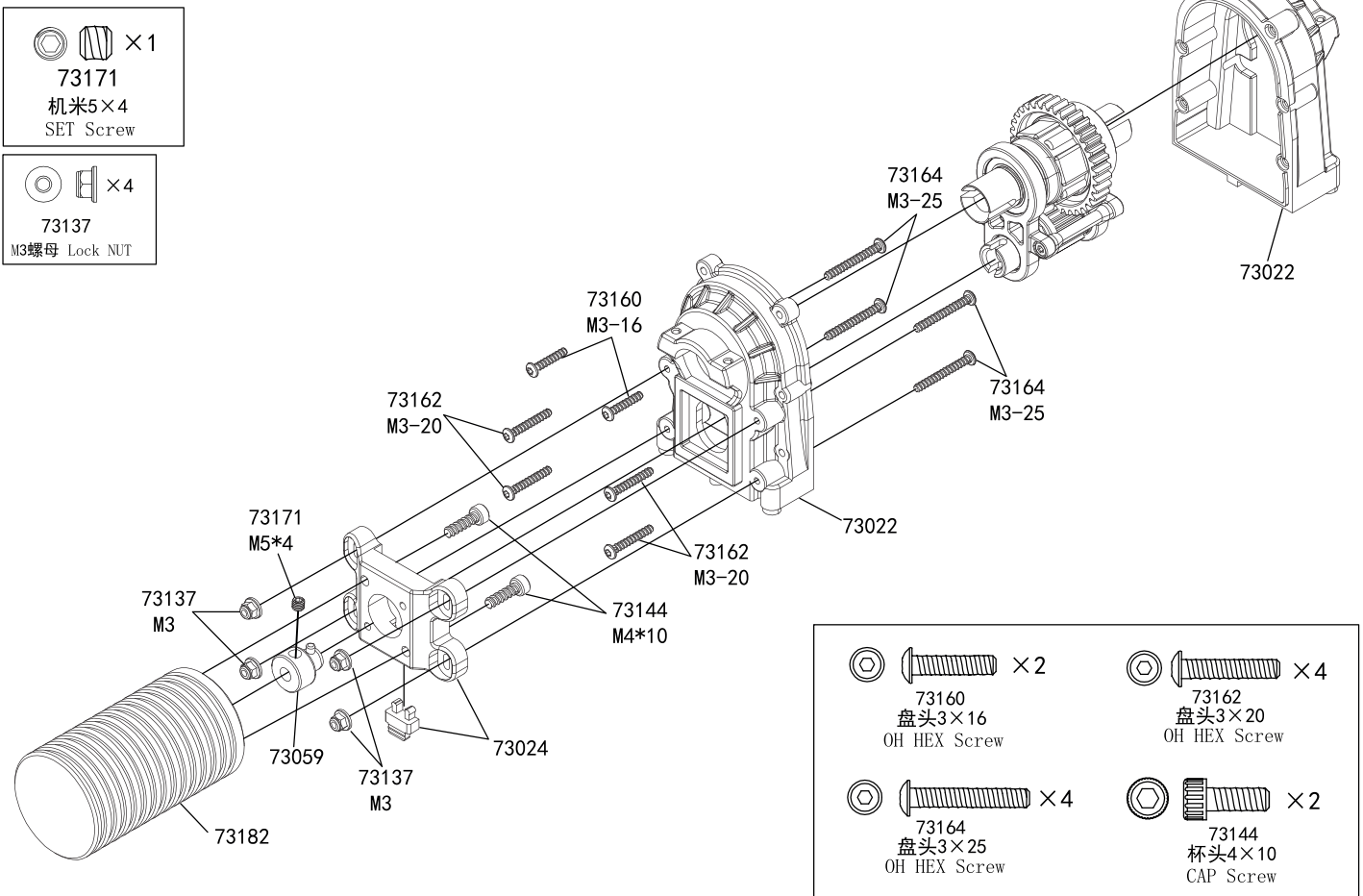
前齿轮箱安装 Front Gearbox Installation



中差速组件组装 Center Differential Component Assembly

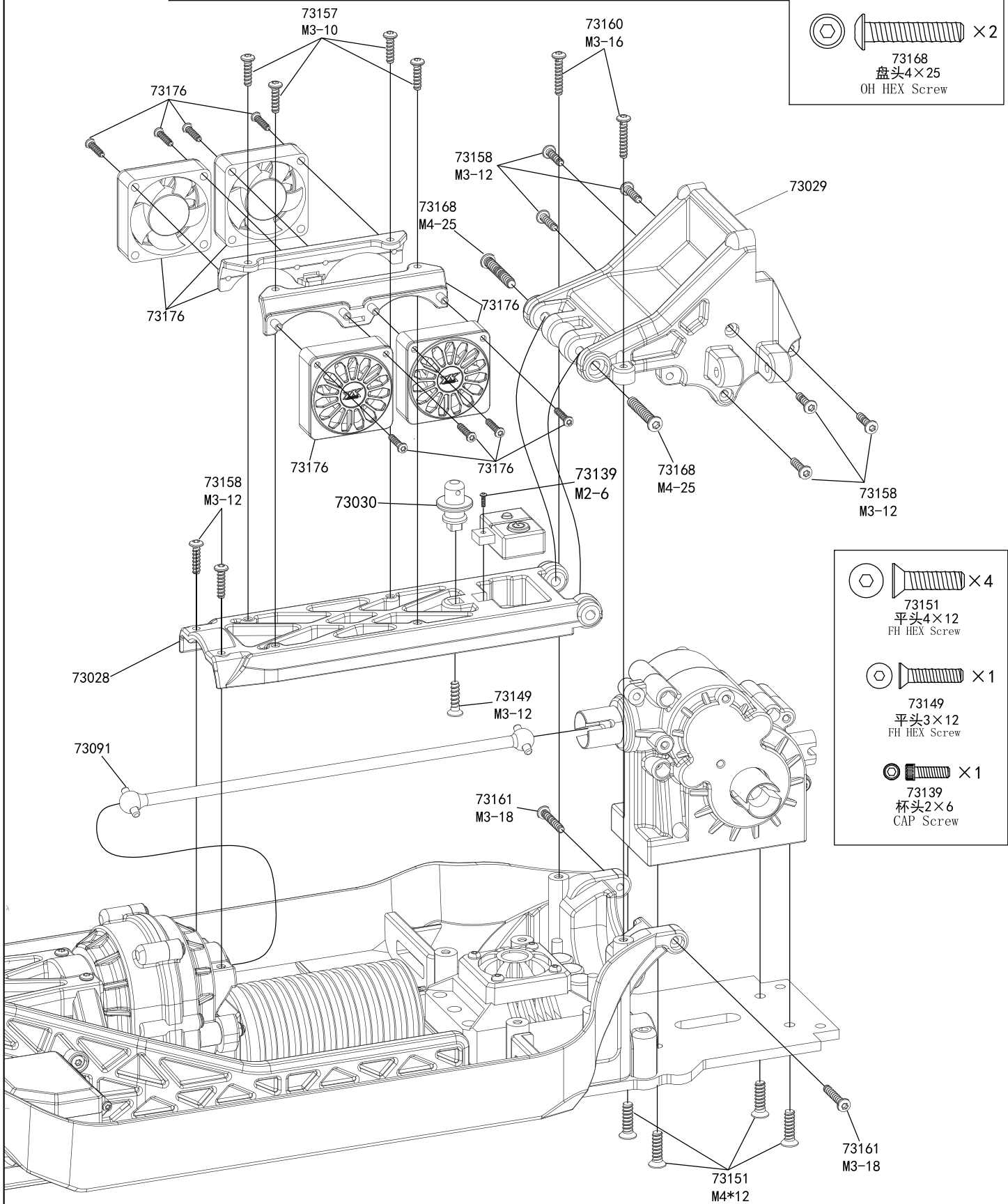


中齿轮箱组装 Center Gearbox Assembly



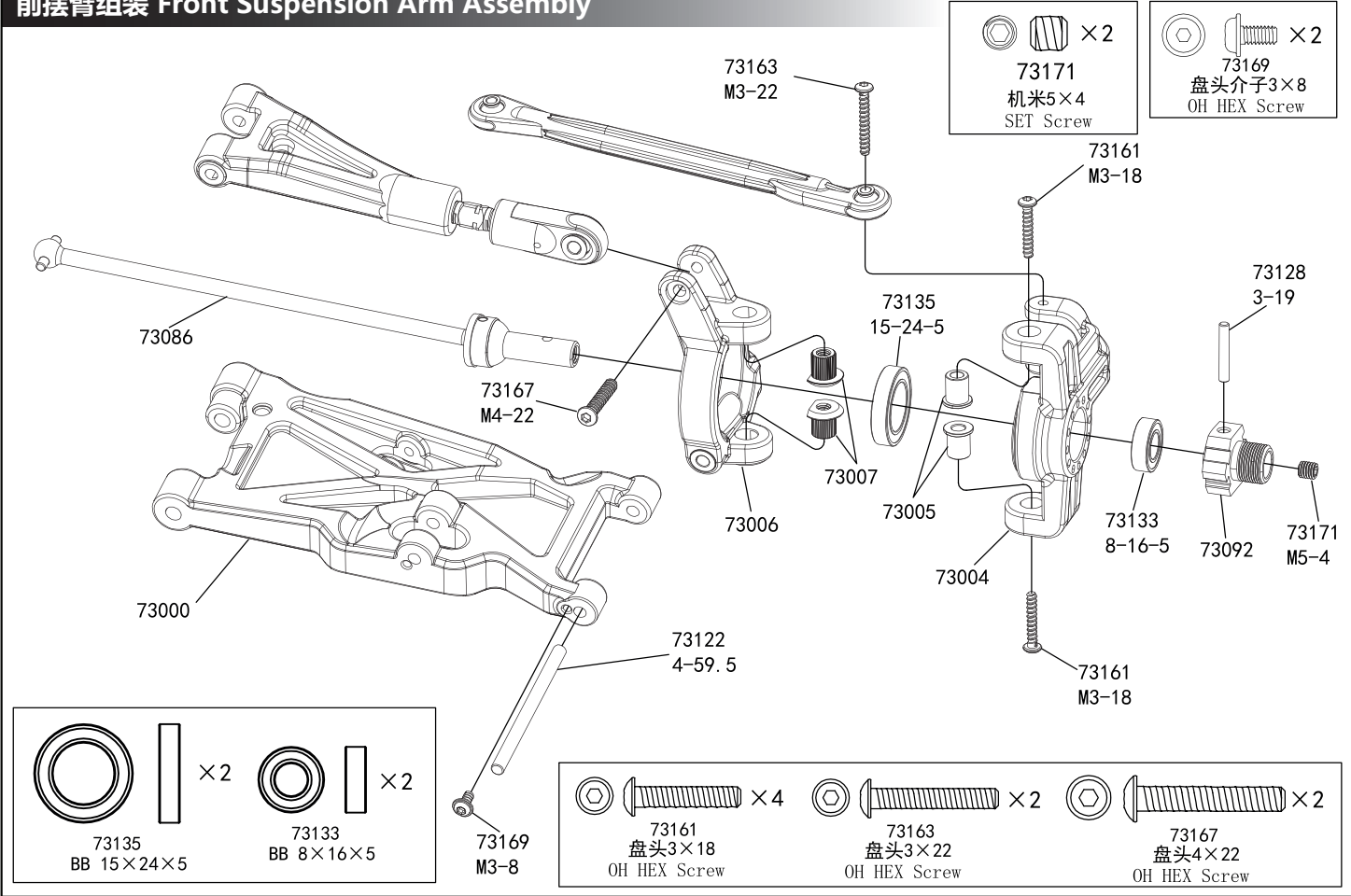
后齿轮箱组装 Rear Gearbox Assembly

× 2 73157 盘头3×10 OH HEX Screw	× 8 73158 盘头3×12 OH HEX Screw	× 2 73160 盘头3×16 OH HEX Screw	× 2 73161 盘头3×18 OH HEX Screw	× 2 73161 盘头3×18 OH HEX Screw
				× 2 73168 盘头4×25 OH HEX Screw

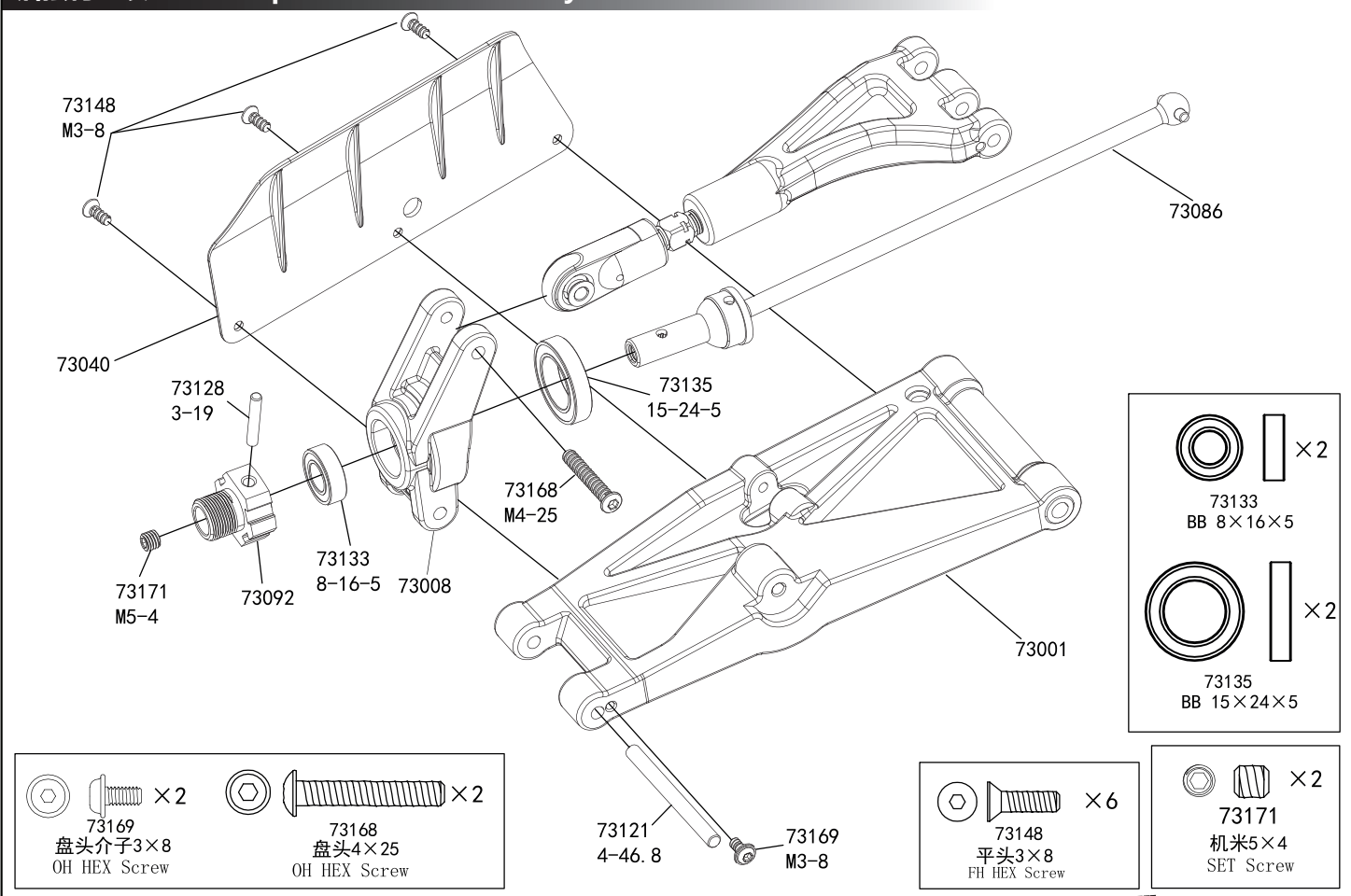


× 4 73151 平头4×12 FH HEX Screw
× 1 73149 平头3×12 FH HEX Screw
× 1 73139 杯头2×6 CAP Screw

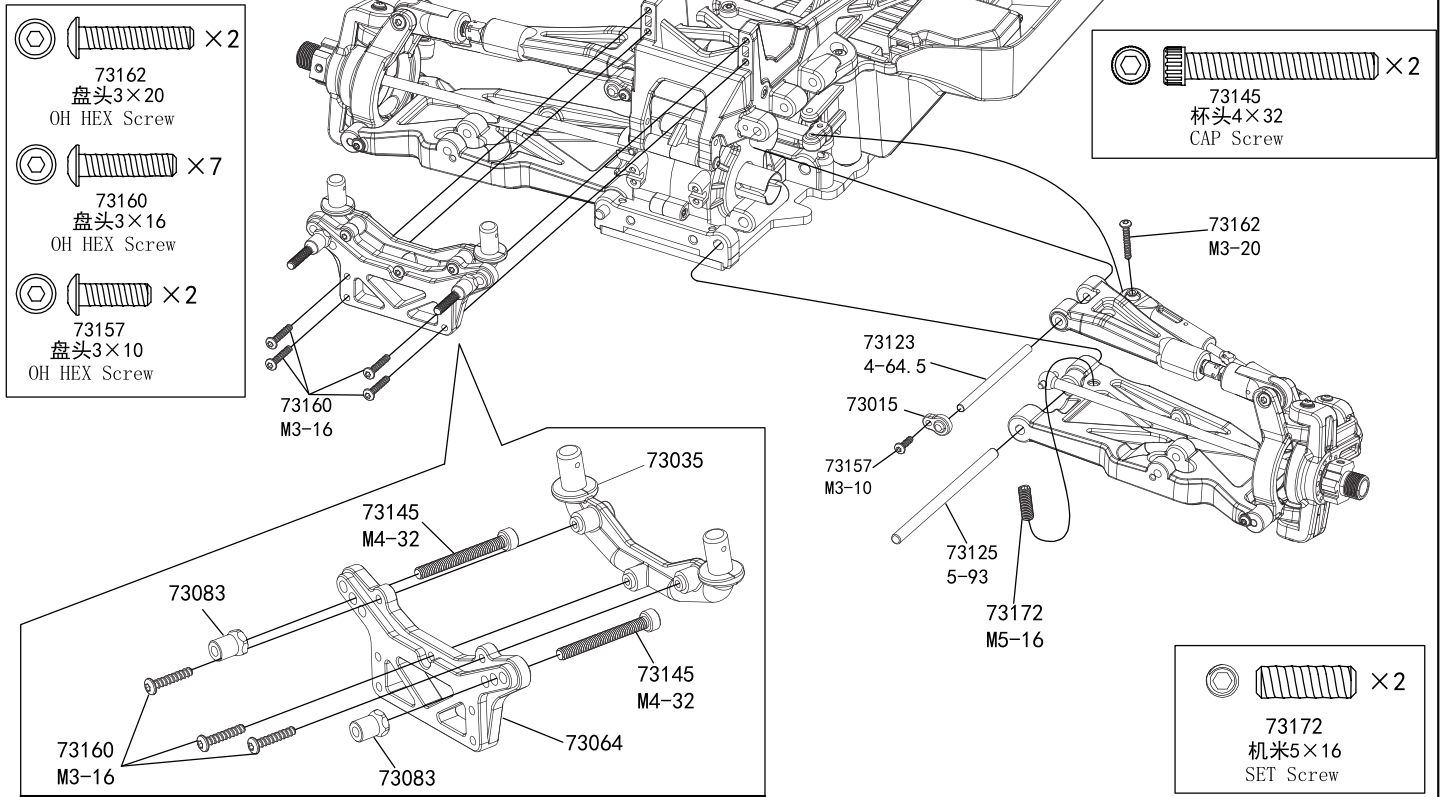
前摆臂组装 Front Suspension Arm Assembly



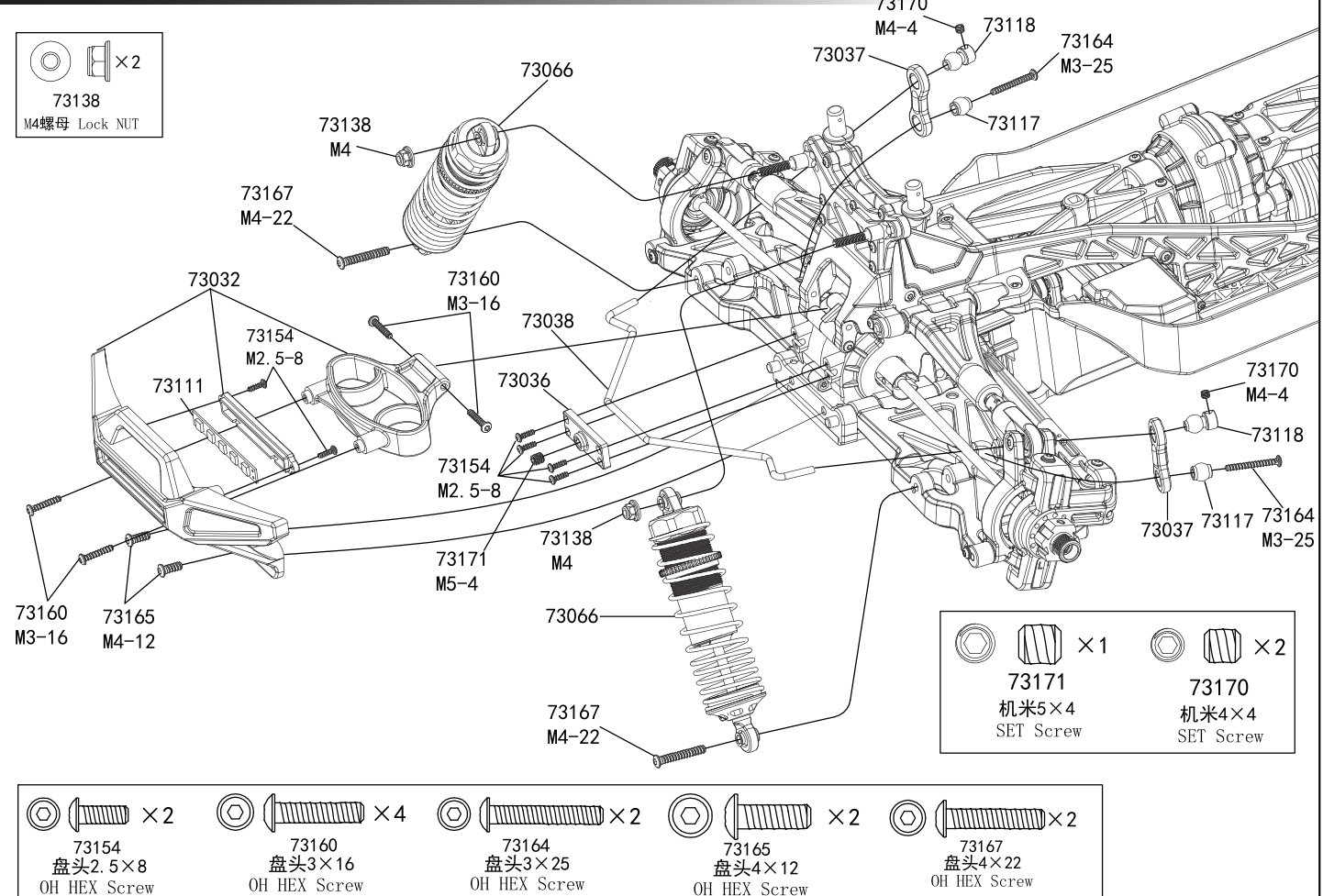
后摆臂组装 Rear Suspension Arm Assembly



前摆臂安装 Front Suspension Arm Installation



前段组装: Front Section Assembly

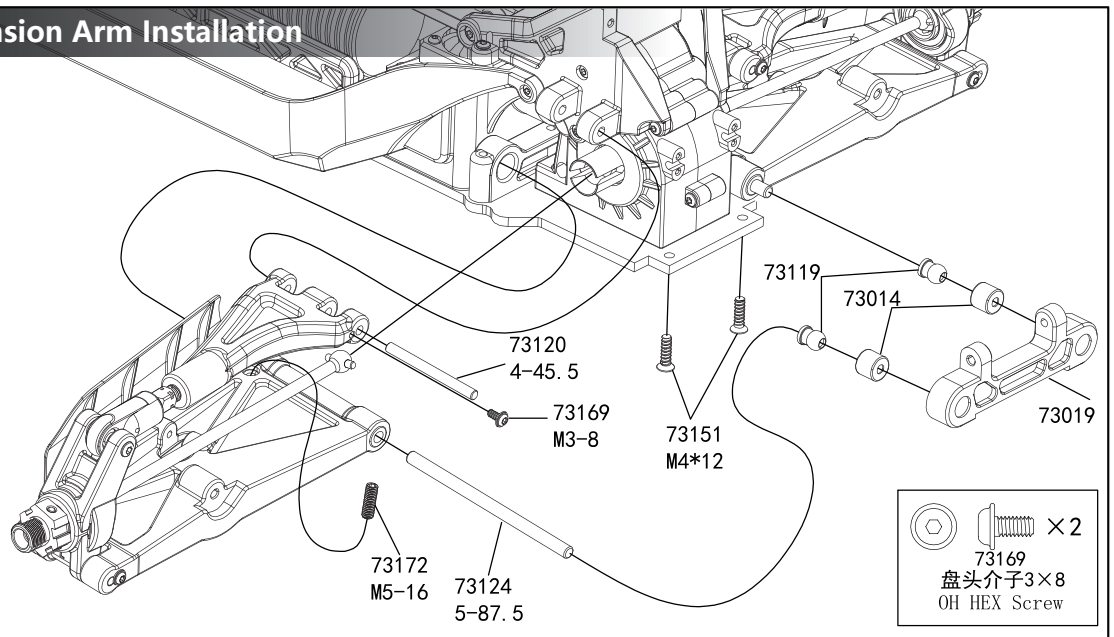


后摆臂安装 Rear Suspension Arm Installation

73172
机米5×16
SET Screw

73151
平头4×12
FH HEX Screw

73169
盘头介子3×8
OH HEX Screw



后段组装 Rear Section Assembly

73165
盘头4×12
OH HEX Screw

73166
盘头4×16
OH HEX Screw

73167
盘头4×22
OH HEX Screw

73146
平头2.5×8
FH HEX Screw

73154
盘头2.5×8
OH HEX Screw

73158
盘头3×12
OH HEX Screw

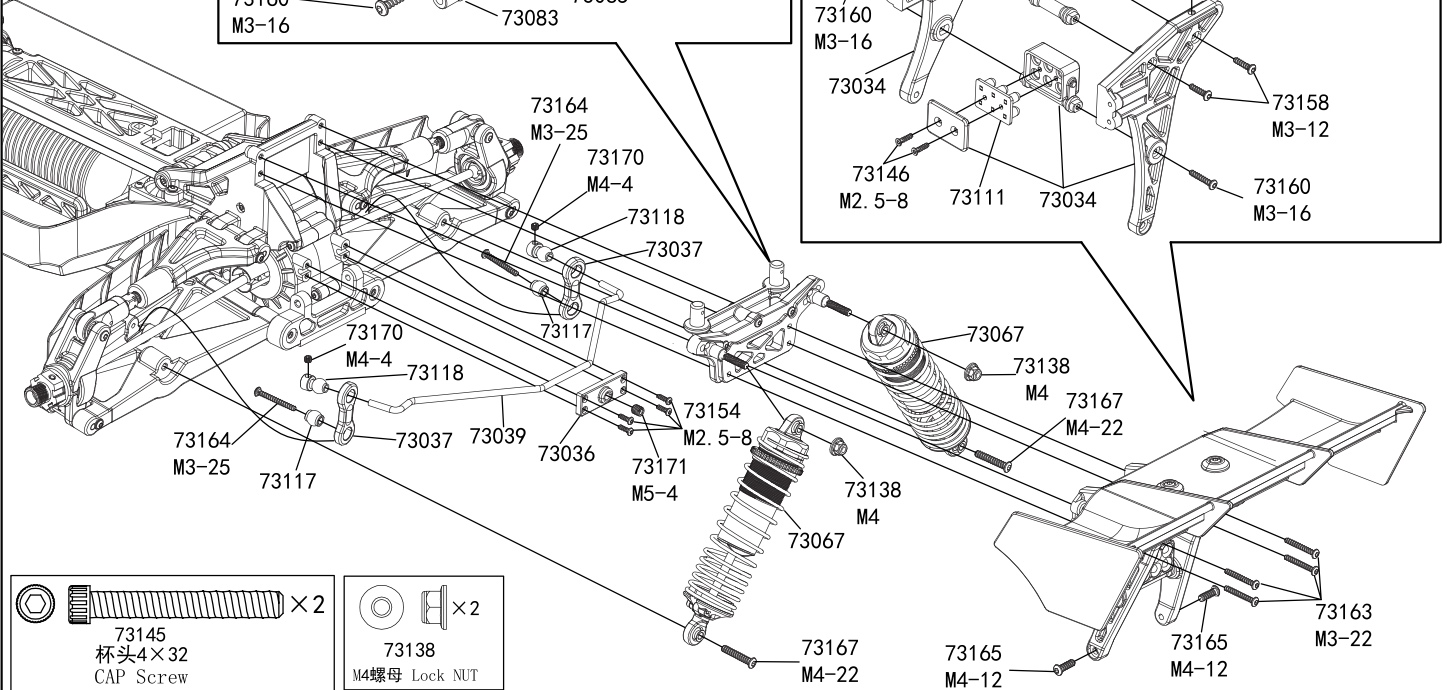
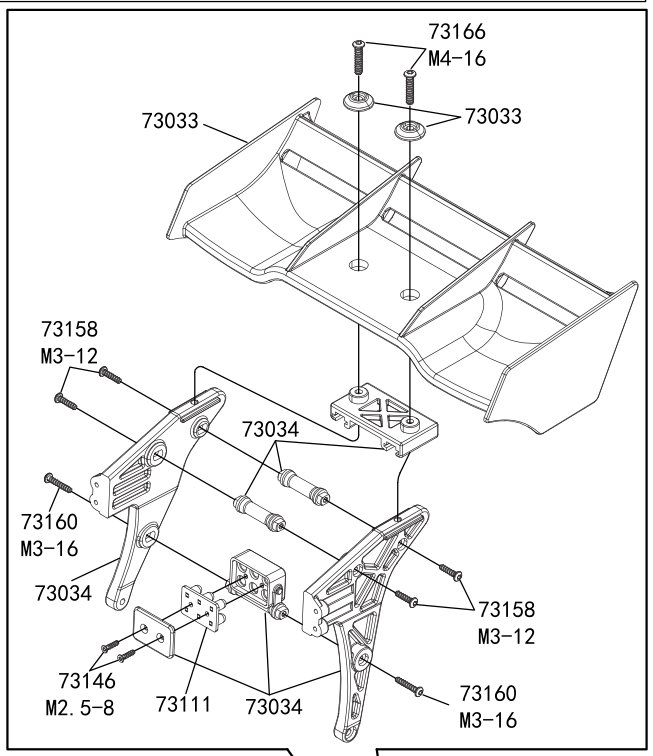
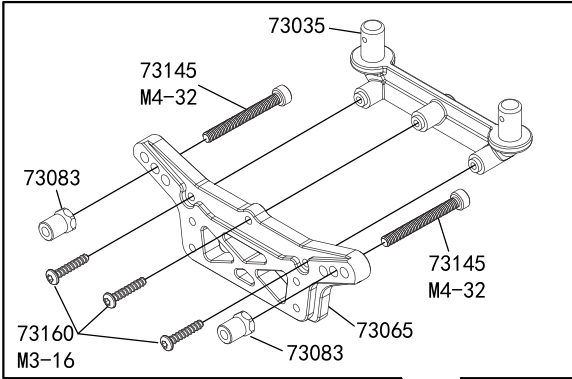
73160
盘头3×16
OH HEX Screw

73163
盘头3×22
OH HEX Screw

73164
盘头3×25
OH HEX Screw

73170
机米4×4
SET Screw

73171
机米5×4
SET Screw

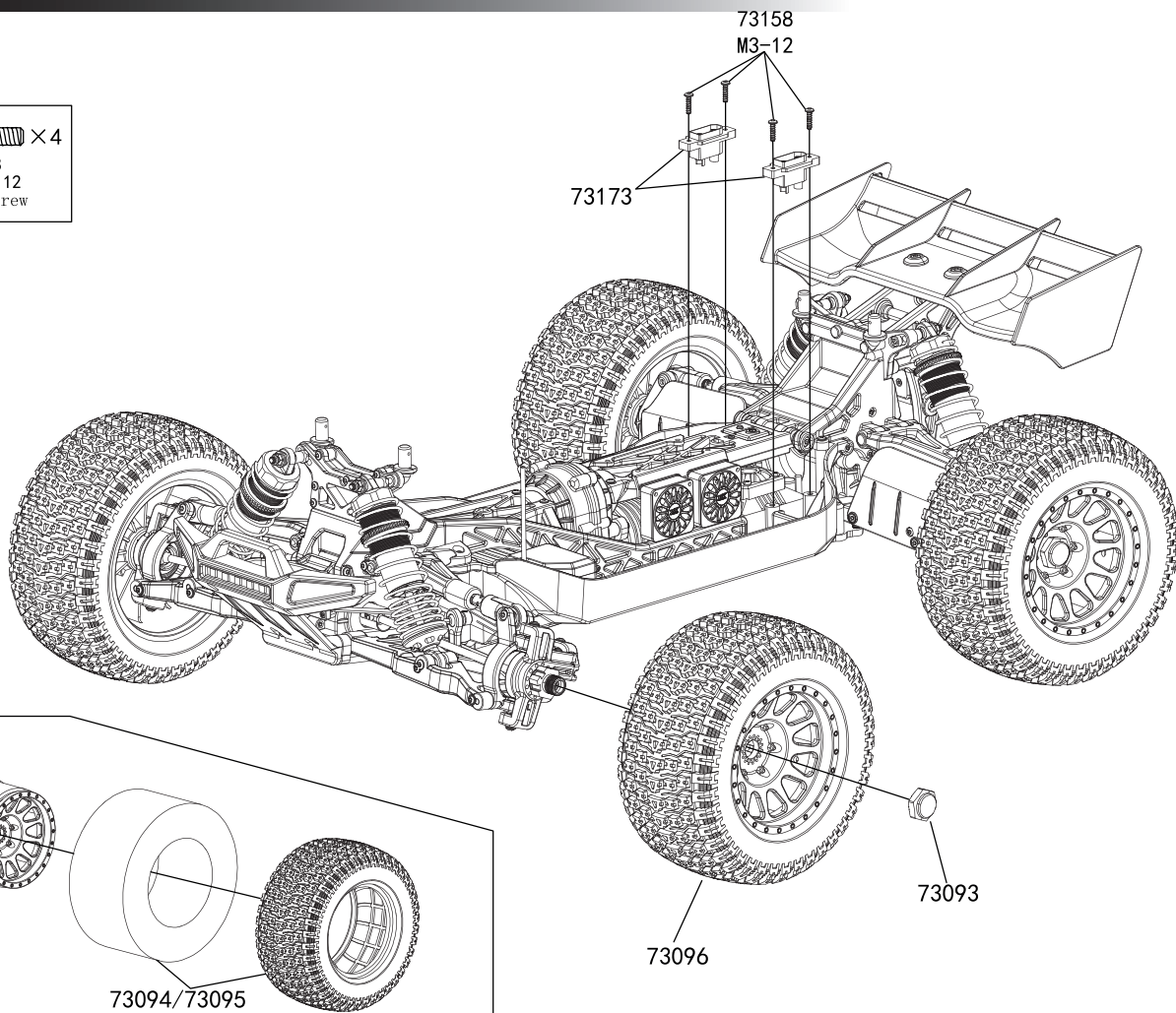


73145
杯头4×32
CAP Screw

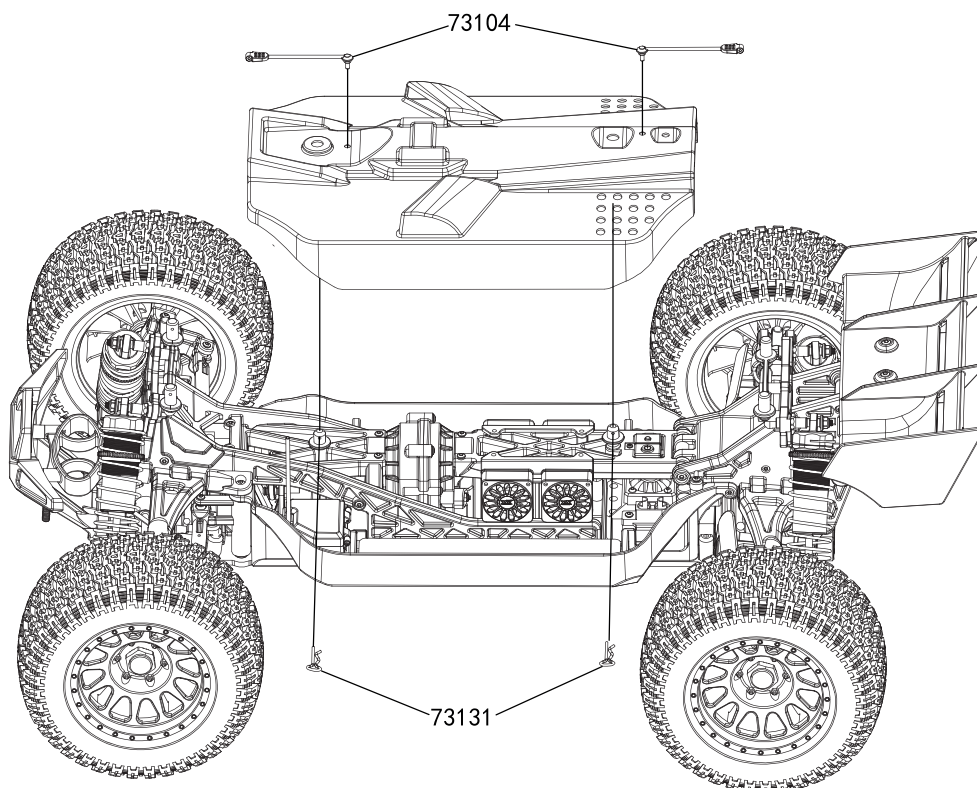
73138
M4螺母 Lock NUT

轮胎安装 Tire Installation

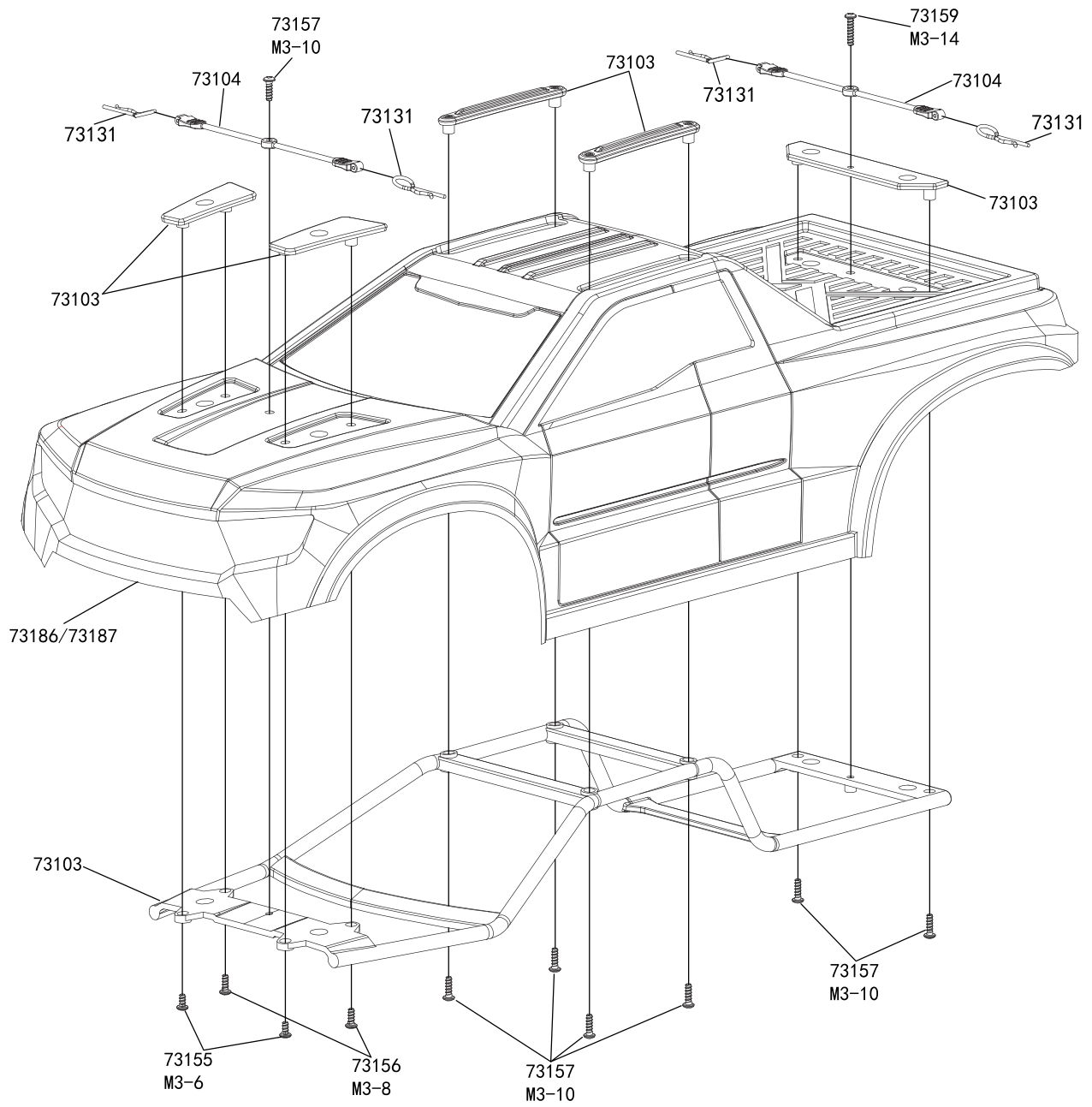
 × 4
 73158
 盘头3×12
 OH HEX Screw








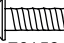


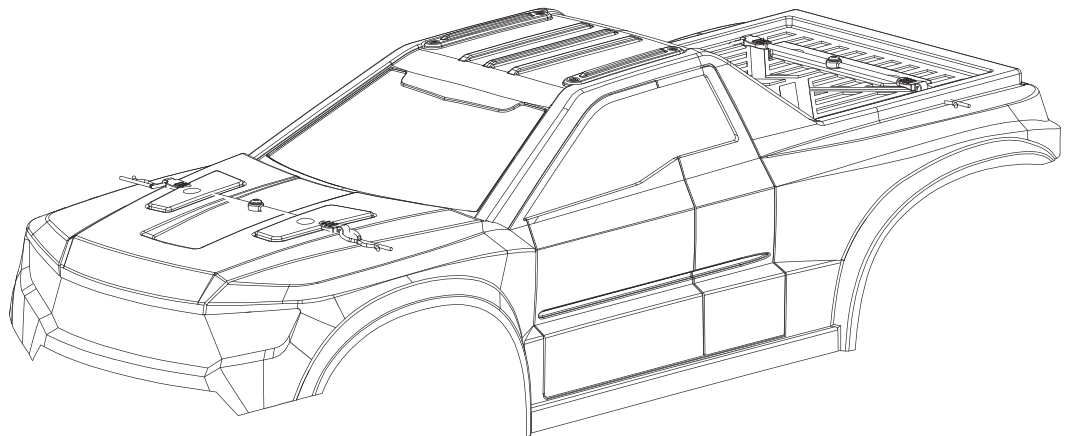
防尘罩安装 Dust Cover Installation

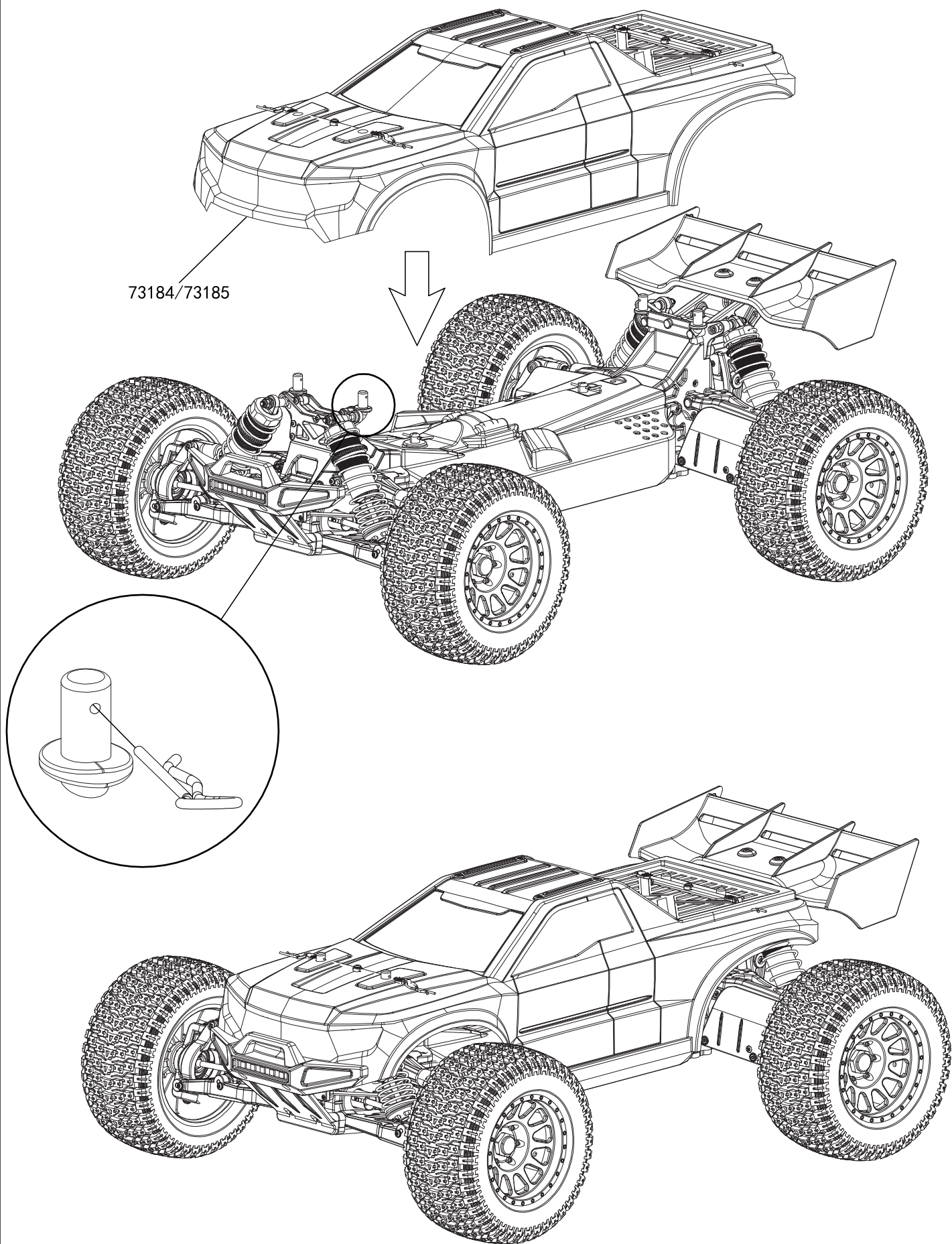


车壳组装 Body Shell Assembly

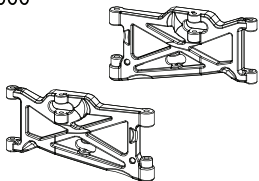
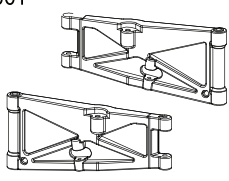
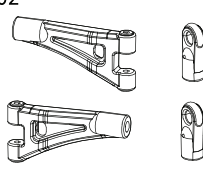
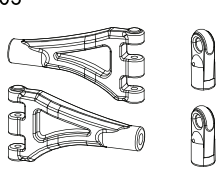
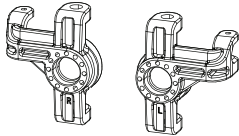
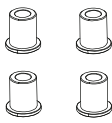
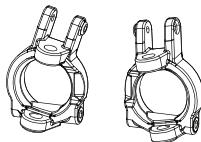
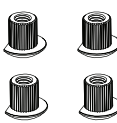
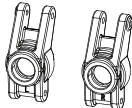
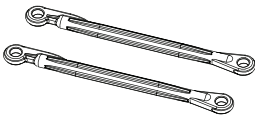
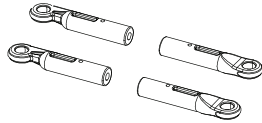
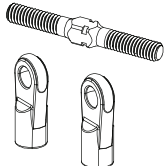
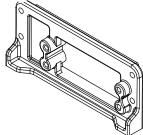
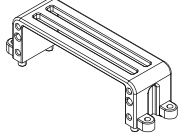
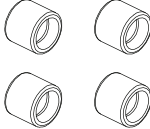

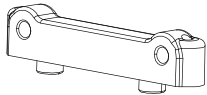
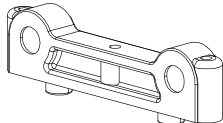
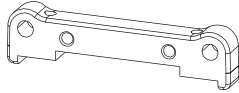
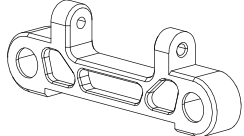
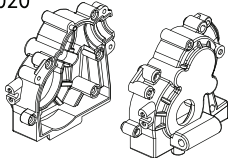
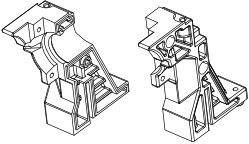
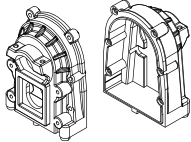
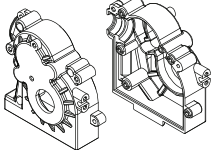
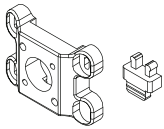
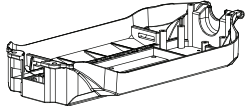
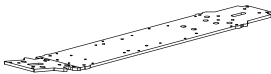
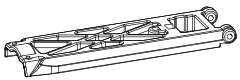


- 

 × 2
 73155
 盘头3×6
 OH HEX Screw
- 

 × 2
 73156
 盘头3×8
 OH HEX Screw
- 

 × 7
 73157
 盘头3×10
 OH HEX Screw
- 

 × 1
 73159
 盘头3×14
 OH HEX Screw

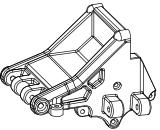
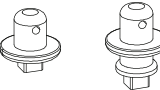
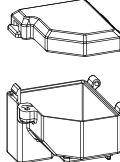
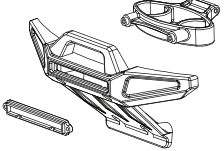
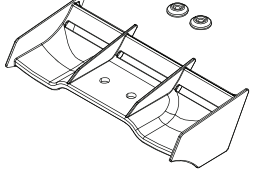
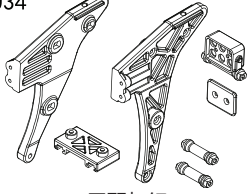
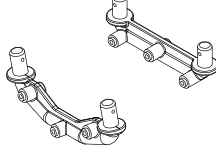
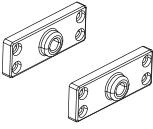

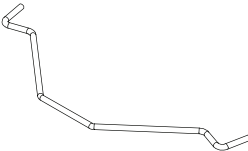
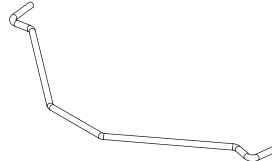
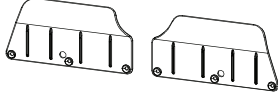
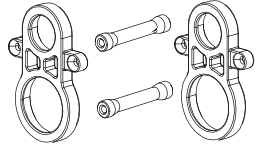
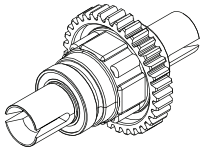
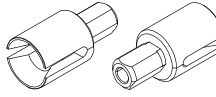
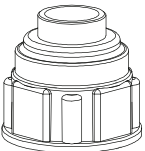
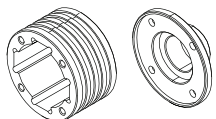
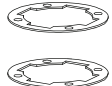
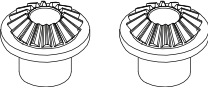
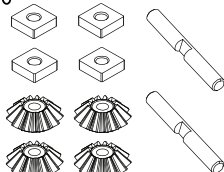

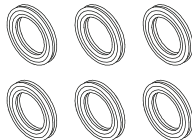
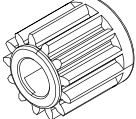

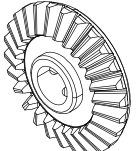
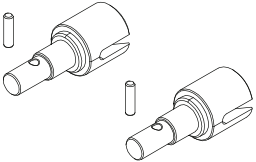
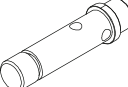
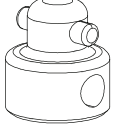




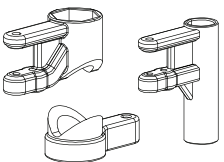
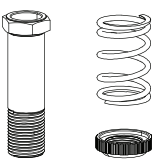
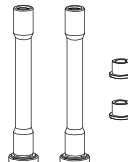
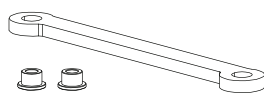
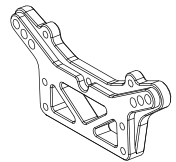
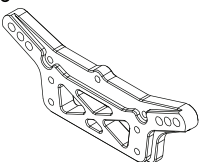
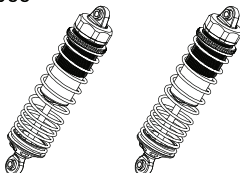
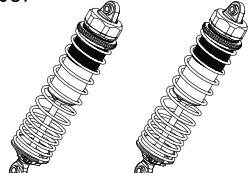


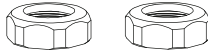
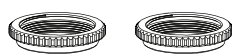
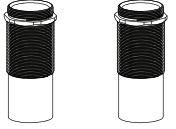
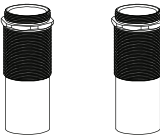
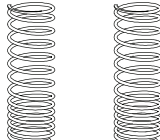
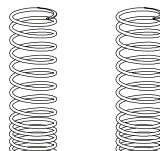
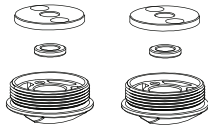
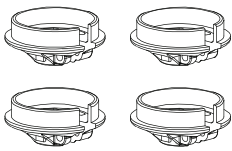
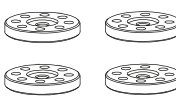
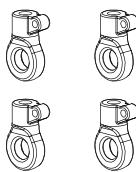
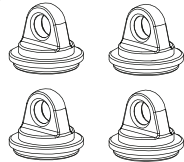
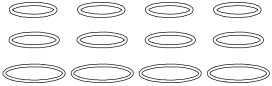

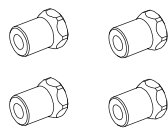
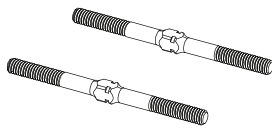
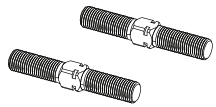
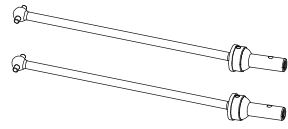
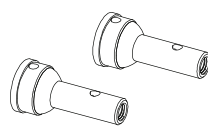
配件表 Parts List

<p>73000</p>  <p>前下摆臂左右 Front Lower Suspension Arm L/R</p>	<p>73001</p>  <p>后下摆臂左右 Rear Lower Suspension Arm L/R</p>	<p>73002</p>  <p>前上摆臂左右 Front Upper Suspension Arm L/R</p>	<p>73003</p>  <p>后上摆臂左右 Rear Upper Suspension Arm L/R</p>
<p>73004</p>  <p>转向座 Steering Spindle</p>	<p>73005</p>  <p>转向座T型套 Steering Spindle Bushing(4pcs)</p>	<p>73006</p>  <p>C座 C-hub</p>	<p>73007</p>  <p>C座T型套 C-hub Bushing(4pcs)</p>
<p>73008</p>  <p>后轴座 Rear Hub</p>	<p>73009</p>  <p>一体式转向拉杆 One-piece Steering Link</p>	<p>73010</p>  <p>转向拉杆球头 Steering Link Ballends</p>	<p>73011</p>  <p>伺服拉杆球头座 Servo Link Rod End</p>
<p>73012</p>  <p>舵机安装座 Servo Mounting plate</p>	<p>73013</p>  <p>舵机座 Servo Mount</p>	<p>73014</p>  <p>后下摆臂衬套 Rear Lower Suspension Arm Bushing</p>	<p>73015</p>  <p>前上摆臂销压盖 Front Upper Suspension Arm Pin Retainer</p>
<p>73016</p>  <p>前摆臂码-后 Front Suspension Mount-Rear</p>	<p>73017</p>  <p>后摆臂码-前 Rear Suspension Mount-Front</p>	<p>73018</p>  <p>前摆臂码-前 (铝合金) Front Suspension Mount-Front (CNC)</p>	<p>73019</p>  <p>后摆臂码-后 (铝合金) Rear Suspension Mount-Rear (CNC)</p>
<p>73020</p>  <p>前齿轮箱 Front Gearbox</p>	<p>73021</p>  <p>前齿轮箱支撑座 Front Gearbox Support Mount</p>	<p>73022</p>  <p>中齿轮箱 Center Gearbox</p>	<p>73023</p>  <p>后齿轮箱 Rear Gearbox</p>
<p>73024</p>  <p>马达调整座 Motor Adjustment Mount</p>	<p>73025</p>  <p>底板-塑胶 Chassis-Plastic</p>	<p>73026</p>  <p>底板-铝合金 Chassis-Aluminum</p>	<p>73028</p>  <p>中后支撑 Center Rear Chassis Brace</p>

配件表 Parts List

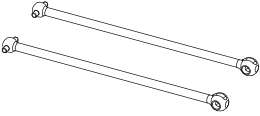
<p>73029</p>  <p>后避震板固定座 Rear Shock Tower Mount</p>	<p>73030</p>  <p>防尘罩固定柱 Dust Cover Fixing Post</p>	<p>73031</p>  <p>接收机盒 Receiver Box</p>	<p>73032</p>  <p>前防撞组 Front Bumper Set</p>
<p>73033</p>  <p>尾翼 Rear Wing</p>	<p>73034</p>  <p>尾翼架组 Rear Wing Mount Set</p>	<p>73035</p>  <p>前/后车壳柱 Body Post Front/Rear</p>	<p>73036</p>  <p>防倾杆压盖 Sway Bar Clamp</p>
<p>73037</p>  <p>防倾杆球头座 Sway bar ball stud</p>	<p>73038</p>  <p>前防倾杆3mm Front Sway bar 3mm</p>	<p>73039</p>  <p>后防倾杆3.5mm Rear Sway bar 3.5mm</p>	<p>73040</p>  <p>挡泥板 Mud Flap</p>
<p>73041</p>  <p>差速器安装座 Diff Mount</p>	<p>73042</p>  <p>差速器组合 Front Diff Complete Set</p>	<p>73044</p>  <p>差速接杯 Diff Drive Cup</p>	<p>73045</p>  <p>差速壳 Diff Housing</p>
<p>73046</p>  <p>差速壳-铝合金 Diff Case Aluminum</p>	<p>73048</p>  <p>差速壳密封垫 Diff Case Gasket</p>	<p>73049</p>  <p>差速大齿16T Sun Gear Diff-16T</p>	<p>73050</p>  <p>差速小齿组 Spider Diff Gear Set</p>
<p>73051</p>  <p>差速大齿垫片 Sun Gear Diff Shim</p>	<p>73052</p>  <p>差速器密封圈 Diff Gasket</p>	<p>73053</p>  <p>传动齿13T Machined Transmission Gear 13T</p>	<p>73054</p>  <p>主动齿13T Machined Bevel Gear 13T</p>
<p>73055</p>  <p>从动齿26T Machined Bevel Gear 13T</p>	<p>73056</p>  <p>主动齿接杯 Main Gear Outdrive</p>	<p>73057</p>  <p>前/后传动齿轮轴 F/R Trans Gear Shaft</p>	<p>73059</p>  <p>马达输出轴 Motor Output Shaft</p>

配件表 Parts List

<p>73060</p>  <p>转向缓冲组件 Steering Bellcrank Set</p>	<p>73061</p>  <p>缓冲铝柱组 Servo Saver Tube</p>	<p>73062</p>  <p>缓冲钢柱 Steering Post</p>	<p>73063</p>  <p>转向连片 Steering Linkage Plate</p>
<p>73064</p>  <p>前避震板(铝合金) Front Shock Tower Aluminum</p>	<p>73065</p>  <p>后避震板(铝合金) Rear Shock Tower Aluminum</p>	<p>73066</p>  <p>前避震器 Front Shock Absorber</p>	<p>73067</p>  <p>后避震器 Rear Shock Absorber</p>
<p>73068</p>  <p>前避震轴 Front Shock Shaft</p>	<p>73069</p>  <p>后避震轴 Rear Shock Shaft</p>	<p>73070</p>  <p>避震上盖(铝合金) Shock Top Cap Aluminum</p>	<p>73071</p>  <p>避震调节环(铝合金) Shock Adjustment Clip Aluminum</p>
<p>73072</p>  <p>前避震筒 Front Shock Body</p>	<p>73073</p>  <p>后避震筒 Rear Shock Body</p>	<p>73074</p>  <p>前避震弹簧 Front Shock Spring</p>	<p>73075</p>  <p>后避震弹簧 Rear Shock Spring</p>
<p>73076</p>  <p>避震下盖组 Shock Lower Cap Set</p>	<p>73077</p>  <p>避震弹簧下座 Shock Spring Holder Lower</p>	<p>73078</p>  <p>避震活塞 Shock Piston</p>	<p>73079</p>  <p>避震下球头座 Shock Lower Rod End</p>
<p>73080</p>  <p>避震上球头座 Shock Upper Rod End</p>	<p>73081</p>  <p>避震密封O圈组 Shock O-ring</p>	<p>73082</p>  <p>避震密封X圈 Shock X-Ring</p>	<p>73083</p>  <p>避震器固定座 Shock Mount Collar</p>
<p>73084</p>  <p>转向连杆 Steering Link</p>	<p>73085</p>  <p>上摆臂连杆 Upper Suspension Arm Link</p>	<p>73086</p>  <p>万向传动轴 Universal Drive Shaft</p>	<p>73087</p>  <p>轮轴 Wheel Axle</p>

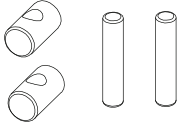
配件表 Parts List

73088



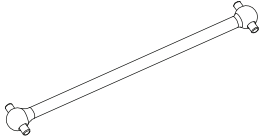
横传动轴
Dogbone

73089



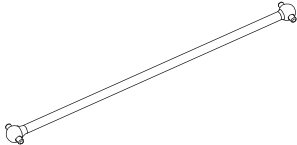
万向滑块
Universal CVD slide

73090



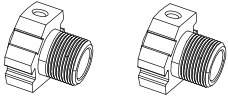
纵前传动轴
Center Drive Shaft Front

73091



纵后传动轴
Center Drive Shaft Rear

73092



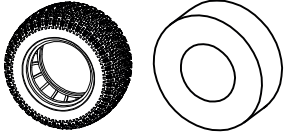
六角轮座(铝合金)
Wheel Hex Aluminum

73093



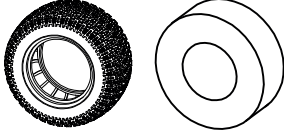
六角螺帽(铝合金)
Wheel Hex Nut Aluminum

73094



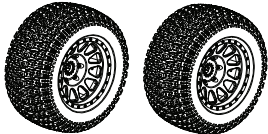
轮胎左
Tire L

73095



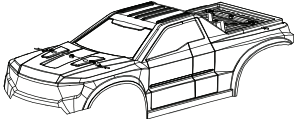
轮胎右
Tire R

73096



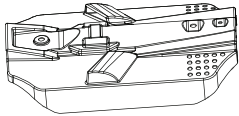
轮胎组-左/右
Tyre & Wheel L/R set (Glued)

73101



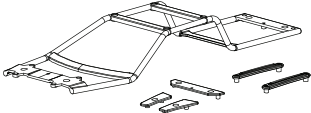
车壳透明
Blear Body

73102



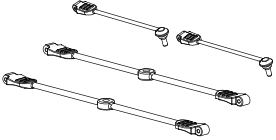
防尘罩
Dust Cover

73103



车壳支撑
Body Shell Support

73104



R扣胶条
R-Clip Rubber Strip

73105



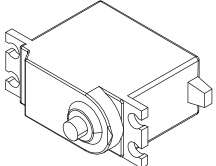
舵机臂15T
Servo Horn 15T

73106



舵机臂25T
Servo Horn 25T

73107



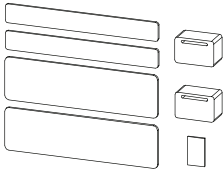
舵机60Kg
Servo 60KG

73110



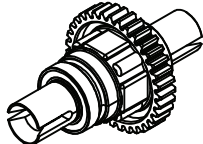
遥控器/接收机
Transmitter/Receiver

73112



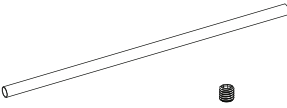
EVA垫
EVA Pad

73113



后差速器组合
Rear Diff Complete Set

73174



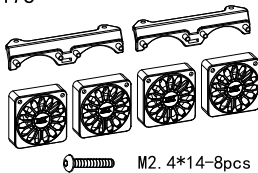
天线管
Antenna Tube

73175




轮框
Wheel

73176



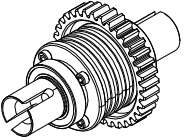
散热风扇组(含线材)
Cooling Fan (Including cables)

73177



中前支撑
Center Front Chassis Brace

73178



中差速器组合(铝合金壳)
Center Diff Complete Set (Aluminum Case)

73179



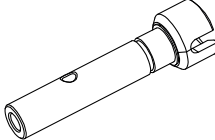
减速齿36T(钢制)
Spur Gear 36T (Steel)

73180



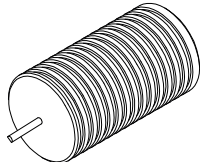
传动齿12T(钢制)
Machined Transmission Gear 12T(Steel)

73181



中传动齿轮轴
Center Trans Gear Shaft

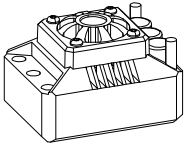
73182



马达4585
Motor 4585

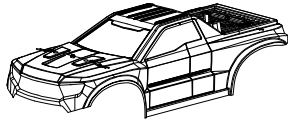
配件表 Parts List

73183



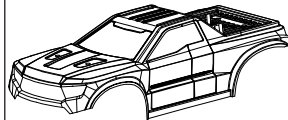
电调160A
ESC 160A

73184



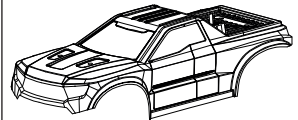
车壳组橙黑款
Body set (Orange Black)

73185



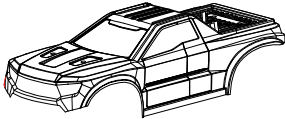
车壳组蓝黑款
Body set (Blue Black)

73186



车壳橙黑款
Body (Orange Black)

73187



车壳蓝黑款
Body (Blue Black)

配件表 Parts List

73114

上摆臂球头
Upper Suspension Arm Balls

73115

转向/伺服球头
Steering/Servo Balls

73116

避震球头
Shock Balls

73117

防倾杆下球头
Sway Bar Ball Studs Lower

73118

防倾杆上球头
Sway Bar Ball Studs Upper

73119

后摆臂球头
Rear Suspension Arm Balls

73120

后上摆臂销4-45.5
Rear Upper Suspension Arm Pins

73121

后轴座销4-46.8
Rear Hub Pins 4-46.8

73122

C座销4-59.5
C-hub Pins

73123

前上摆臂销4-64.5
Front Upper Suspension Arm Pins

73124

后下摆臂销5-87.5
Rear Lower Suspension Arm Pins

73125

前下摆臂销5-93
Front Lower Suspension Arm Pins

73126

齿轮固定销3-12
Gear Retaining Pins

73127

万向轴滑块销3-15
Universal Drive Shaft slide Pins

73128

六角轮座固定销3-19
Wheel Hex Pins

73130

E扣7mm
E-Clip 7mm

73131

R扣
R-Clip

73132

轴承6-10-3
Ball Bearing

73133

轴承8-16-5
Ball Bearing

73134

轴承10-19-5
Ball Bearing

73135

轴承15-24-5
Ball Bearing

73136

尼龙螺母m3
Nut Nylon M3

73137

法兰螺母m3
Flanged Nut M3

73138

法兰螺母m4
Flanged Nut M4

73139

杯头内六角螺丝M2-6
Cap Head Screws

73140

杯头内六角螺丝M2-12
Cap Head Screws

73141

杯头内六角螺丝M2.5-10
Cap Head Screws

73142

杯头内六角螺丝M2.5-12
Cap Head Screws

73143

杯头内六角螺丝M3-8
Cap Head Screws

73144

杯头内六角螺丝M4-10
Cap Head Screws

配件表 Parts List

<p>73145</p> <p>杯头内六角螺丝M4-32 Cap Head Screws</p>	<p>73146</p> <p>平头内六角螺丝M2.5-8 Flat Head Screws</p>	<p>73147</p> <p>平头内六角螺丝M3-5 Flat Head Screws</p>	<p>73148</p> <p>平头内六角螺丝M3-8 Flat Head Screws</p>	<p>73149</p> <p>平头内六角螺丝M3-12 Flat Head Screws</p>
<p>73150</p> <p>平头内六角螺丝M4-10 Flat Head Screws</p>	<p>73151</p> <p>平头内六角螺丝M4-12 Flat Head Screws</p>	<p>73152</p> <p>平头内六角螺丝M4-16 Flat Head Screws</p>	<p>73153</p> <p>平头内六角螺丝M4-20 Flat Head Screws</p>	<p>73154</p> <p>盘头内六角螺丝M2.5-8 Button Head Screws</p>
<p>73155</p> <p>盘头内六角螺丝M3-6 Button Head Screws</p>	<p>73156</p> <p>盘头内六角螺丝M3-8 Button Head Screws</p>	<p>73157</p> <p>盘头内六角螺丝M3-10 Button Head Screws</p>	<p>73158</p> <p>盘头内六角螺丝M3-12 Button Head Screws</p>	<p>73159</p> <p>盘头内六角螺丝M3-14 Button Head Screws</p>
<p>73160</p> <p>盘头内六角螺丝M3-16 Button Head Screws</p>	<p>73161</p> <p>盘头内六角螺丝M3-18 Button Head Screws</p>	<p>73162</p> <p>盘头内六角螺丝M3-20 Button Head Screws</p>	<p>73163</p> <p>盘头内六角螺丝M3-22 Button Head Screws</p>	<p>73164</p> <p>盘头内六角螺丝M3-25 Button Head Screws</p>
<p>73165</p> <p>盘头内六角螺丝M4-12 Button Head Screws</p>	<p>73166</p> <p>盘头内六角螺丝M4-16 Button Head Screws</p>	<p>73167</p> <p>盘头内六角螺丝M4-22 Button Head Screws</p>	<p>73168</p> <p>盘头内六角螺丝M4-25 Button Head Screws</p>	<p>73169</p> <p>介子头内六角螺丝M3-8 Button Head Screws</p>
<p>73170</p> <p>机米螺丝M4-4 Set Screw</p>	<p>73171</p> <p>机米螺丝M5-5 Set Screw</p>	<p>73172</p> <p>机米螺丝M5-16 Set Screw</p>		